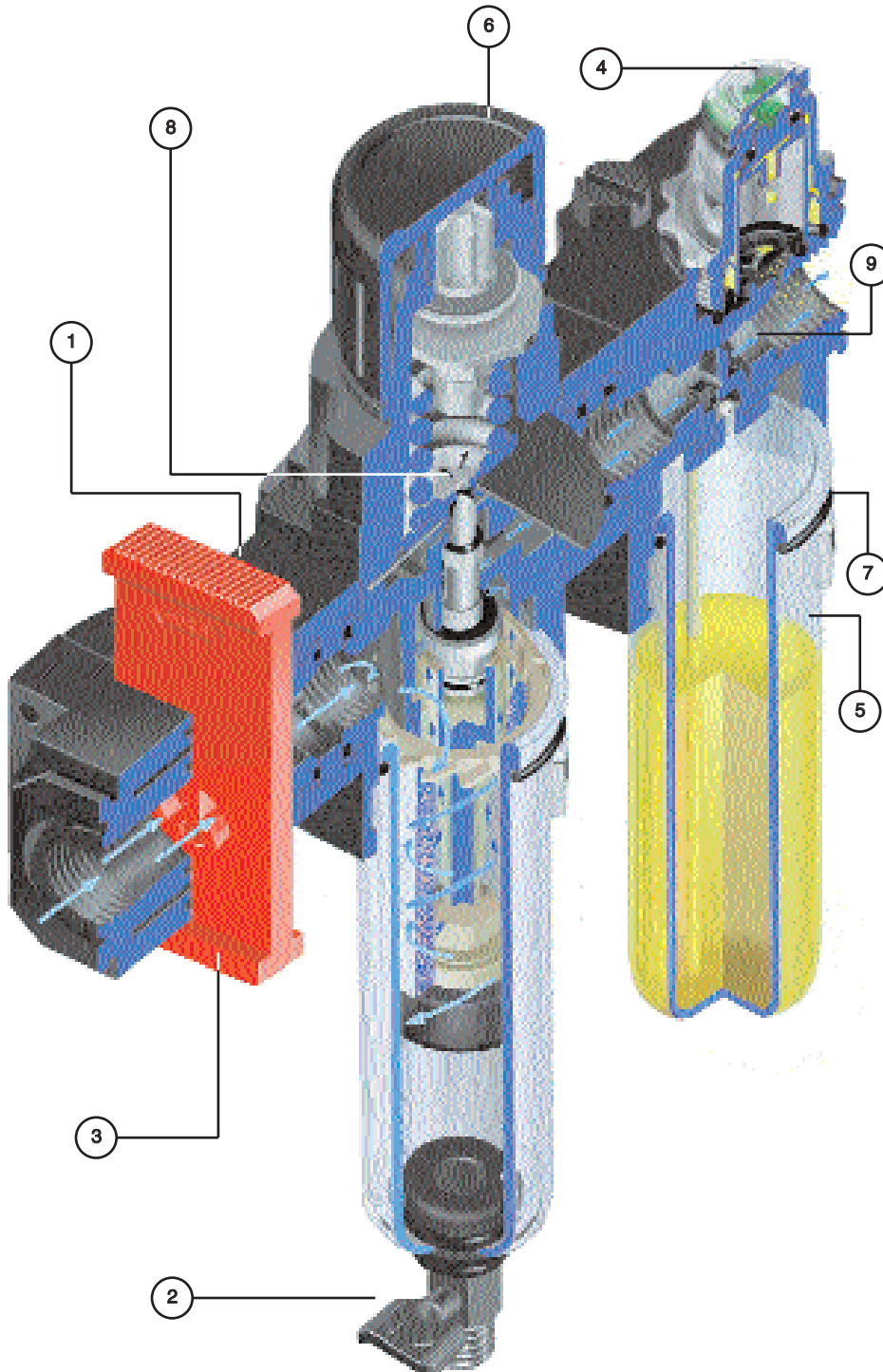


# Excelon

Excelon, the alternative modular air preparation system from Norgren.

Although direct ported, thanks to a patented Quikclamp connection system, Excelon can be used where both stand alone units or modular assemblies are required.

Just another example of Norgren's adaptability.



**1 PATENTED QUIKCLAMP CONNECTION SYSTEM**

Simple, speedy assembly of accessories and combination units

**2 PATENTED QUARTER TURN MANUAL DRAIN**

Simple 1/4 turn to operate. Features a threaded pipeaway outlet.

**3 PATENTED SHUT-OFF VALVE**

3/2 with a threaded exhaust and lockable blade for safe system isolation.

**4 LUBRICATOR SIGHT FEED DOME**

Allows full 360° visibility and screwdriver adjustment for easy drip rate setting. Can be made tamper-resistant.

**5 BAYONET BOWLS**

Easy removal for routine maintenance. Detent action prevents removal under pressure.

**6 PUSH TO LOCK ADJUSTING KNOB**

Can be fitted with a tamper resistant cover.

**7 CAPTIVE 'O' RINGS**

**8 BALANCED VALVE**

For improved regulation characteristics.

**9 LUBRICATOR SENSOR**

Helps to maintain constant oil density with varying flow.

PLUS many more design features and accessories.

# Excelon modular system

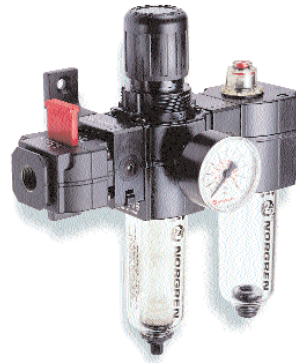
Boxed sets and combination units

Filter/regulators and lubricators

G $\frac{1}{4}$  to G $\frac{1}{2}$



BL72



BL73



BL74

Boxed sets include: filter/regulator and micro-fog lubricator complete with exhausting shut-off valve, pressure gauge and mounting brackets

High efficiency water and particle removal

Quick release bayonet bowls

Push to lock adjusting knob with tamper resistant option

All round (360°) visibility of lubricator sight feed dome for ease of drip rate setting

Micro-fog lubricator for most general purpose pneumatic applications

## Technical data

Medium:

Compressed air

Maximum inlet pressure:

Transparent & guarded bowls: 10 bar

Metal: 17 bar

Ambient temperature:

Transparent & guarded bowls:

-20°C to +50°C

Consult our Technical Service for use below +2°C

## Materials

BL72, FL72:

Polycarbonate bowl standard, zinc bowl optional. Zinc body. Neoprene, nitrile and Geolast elastomeric materials. Transparent nylon liquid level indicator lens for metal bowl. Filter/regulator: Acetal bonnet. Sintered polypropylene element. Brass valve.

Lubricator: Transparent nylon sight-feed dome.

BL73:

Aluminium bonnet, brass valve  
Sintered plastic element  
Aluminium body and bowl  
Transparent nylon liquid level indicator and sight feed dome  
Neoprene and nitrile elastomers

	Port size	Element (µm)	Bowl	Pressure range (bar)	kg	Operation	Model Auto *	Manual **
Boxed sets	G1/4	40	Transparent	0,3 ... 10	1,65	Relieving	BL72-201GA	BL72-221G
	G3/8	40	Transparent	0,3 ... 10	2,26	Relieving	BL73-301G	BL73-321G
	G1/2	40	Guarded transparent	0,3 ... 10	3,55	Relieving	BL74-401G	BL74-421G
Filter-regulator & lubricator combinations	G1/4	40	Transparent	0,3 ... 10	1,67	Relieving	BL72-208GA	BL72-228G
	G3/8	40	Transparent	0,3 ... 10	1,67	Relieving	BL72-308GA	BL72-328G
	G3/8	40	Transparent	0,3 ... 10	2,26	Relieving	BL73-308G	BL73-328G
	G1/2	40	Transparent	0,3 ... 10	2,26	Relieving	BL73-408G	BL73-428G
	G1/2	40	Guarded transparent	0,3 ... 10	3,50	Relieving	BL74-408G	BL74-428G
	G3/4	40	Guarded transparent	0,3 ... 10	3,55	Relieving	BL74-608G	BL74-628G
Filter & lubricator combinations	G1/4	40	Transparent		1,95		FL72-208GA	FL72-228G
	G3/8	40	Transparent		1,95		FL72-308GA	FL72-328G

\* For metal bowl options substitute '5' at 7th digit e.g. BL73-351G \*\* For metal bowl options substitute '6' at 7th digit e.g. BL72-261G

## Options selector

Units	Substitute	Drain	Substitute
Filter-regulator-lubricator combinations	B	Auto drain (72 only)	A
Filter-lubricator combinations	F		
Series	Substitute	Accessories	Substitute
72	2	Shut-off valve & gauge & brackets	1
73	3	Shut-off valve & gauge	2
74	4	Shut-off valve & bracket	3
		Shut-off valve	4
Port size	Substitute	Gauge & bracket	5
1/4	2	Gauge	6
3/8	3	Bracket	7
1/2	4		8
3/4	6		
		Units	Substitute
		Micro-fog lubricator & auto drain* filter (Filter-regulator)	0
		Oil-fog lubricator & auto drain filter (Filter-regulator)	1
		Micro-fog & manual drain	2
		Oil-fog & manual drain	3
		Micro-fog lubricator & auto drain & metal bowl	5
		Oil-fog lubricator & auto drain & metal bowl	6
		Micro-fog lubricator & manual drain & metal bowl	7
		Oil-fog lubricator & manual drain & metal bowl	8

\* Semi-auto 72 only

BL74:

Aluminium bonnet, brass valve. Sintered plastic element. Aluminium body, transparent polycarbonate with steel bowl guard. Transparent nylon sight-feed dome, neoprene and nitrile elastomers.

# Excelon modular system

Boxed sets and combination units

Filter/regulators and lubricators

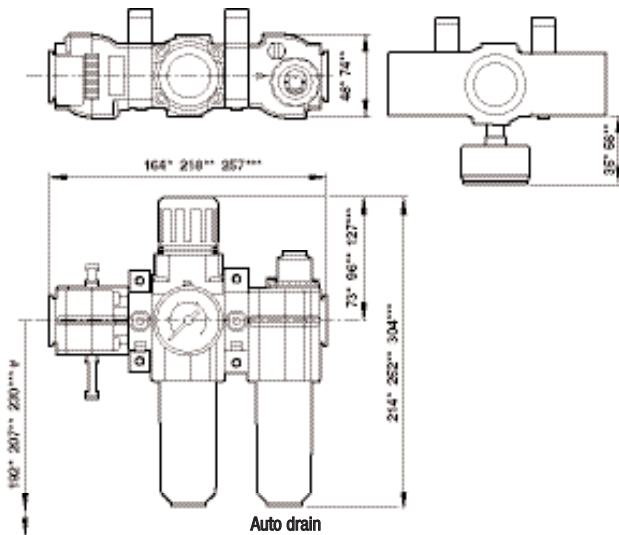
G $\frac{1}{4}$  to G $\frac{1}{2}$

## Accessories

Series	Port size	Gauge 0 ... 10 bar ‡	Tamper resistant cover and seal wire	Seal wire	Tamper resistant snap-on cap for lubricator sight feed dome	Exhaust port silencer 3/2 Shut-off valve	3/2 Shut-off valve	Wall mounting bracket
BL72	G $\frac{1}{4}$	18-013-989	4255-51	2117-01	4050-89	T40M0500	T72T-2GA-P1N	4213-89
FL72	G $\frac{3}{8}$	–	–	–	4050-89	–	T72T-3GA-P1N	4213-89
BL73	G $\frac{3}{8}$	18-013-013	4455-51	2117-01	4050-89	T40M0500	T73T-3GA-P1N	4313-50
FL73	G $\frac{1}{2}$	–	–	–	4050-89	–	T73T-4GA-P1N	4313-50
BL74	G $\frac{1}{2}$	18-013-013	4355-50*	2117-01	–	T40B1800	T74T-4GA-P1N	4313-50
FL74	G $\frac{3}{4}$	–	–	–	–	–	T74T-6GA-P1N	4313-50

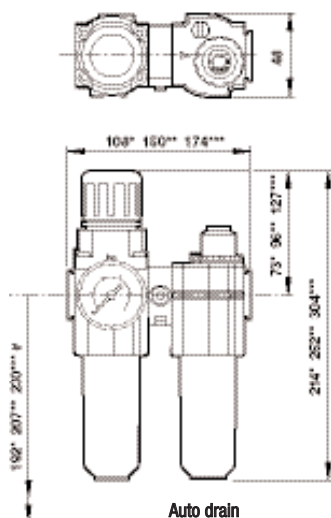
# Pack of 10. ‡ For additional gauges see page 486 \* Seal wire not included.

## Boxed sets



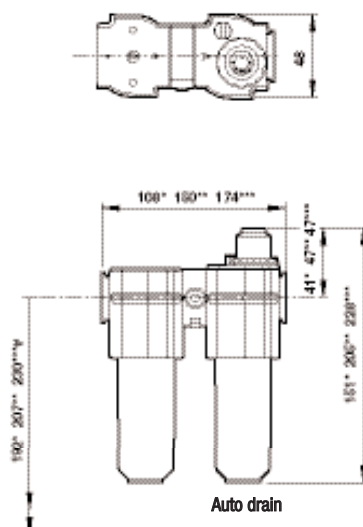
\*BL72 \*\*BL73 \*\*\*BL74 # Minimum clearance required to remove bowl.

## Filter/regulator & lubricator combinations



\*BL72 \*\*BL73 \*\*\*BL74 # Minimum clearance required to remove bowl.

## Filter & lubricator combinations

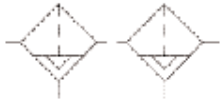


\*BL72 \*\*BL73 \*\*\*BL74 # Minimum clearance required to remove bowl.

# Excelon modular system

F72G, F73G, F74G General purpose filters

G $\frac{1}{4}$  to G $\frac{3}{4}$



Excelon design allows in-line installation or modular installation with other Excelon products

Quick release bayonet bowl

Optional service life indicator turns from green to red when the filter element needs to be replaced



F72G

F73G

F74G

## Technical data

Medium:

Compressed air only

Maximum inlet pressure:

10 bar transparent bowls

17 bar metal bowls

10 bar (F72G with metal bowl and auto drain)

Ambient temperature:

Transparent & guarded bowls:  
-34°C to +50°C

F72G metal bowls: -34°C to +65°C

F73G & F74G metal bowls: -34°C to +80°C

Consult our Technical Service for use below +2°C

Port size	Flow (dm <sup>3</sup> /s) #	kg	Model Auto	Semi-auto	Manual	Service kit	Element (40 µm)
G1/4	30	0,45	F72G-2GN-AL3	F72G-2GN-ST3	F72G-2GN-QT3	4380-500	5925-02
G1/4	29	0,50	F73G-2GN-AT3		F73G-2GN-QT3	4380-600	4438-03
G3/8	30	0,45	F72G-3GN-AL3	F72G-3GN-ST3	F72G-3GN-QT3	4380-500	5925-02
G3/8	35	0,50	F73G-3GN-AT3		F73G-3GN-QT3	4380-600	4438-03
G3/8	68	0,83	F74G-3GN-AD3		F74G-3GN-QP3*	4380-700	4338-05
G1/2	38	0,50	F73G-4GN-AT3		F73G-4GN-QT3	4380-600	4438-03
G1/2	83	0,81	F74G-4GN-AP3		F74G-4GN-QP3*	4380-700	4338-05
G3/4	83	0,79	F74G-6GN-AP3		F74G-6GN-QP3*	4380-700	4338-05

Models listed include ISO G threads, 40 µm element. Models do not include the service life indicator.

# Typical flow with 6,3 bar inlet pressure and a 0,5 bar droop from set.

\* Transparent with guard

## Materials

F72G:

Body: zinc

Transparent bowl: polycarbonate

Metal bowl: zinc

Liquid level indicator lens (metal bowl): transparent nylon

Element: sintered polypropylene

Elastomers: neoprene & nitrile

Optional service life indicator:

Transparent nylon body, acetal internal parts, stainless steel spring, nitrile elastomers.

F73G & F74G:

Body: aluminium

Transparent bowl: polycarbonate

Guarded transparent bowl:

polycarbonate with steel guard

Metal bowl: aluminium

Liquid level indicator lens (metal bowl): transparent nylon

Element: sintered polypropylene

Elastomers: neoprene & nitrile

Optional service life indicator:

Transparent nylon body, acetal internal parts, stainless steel spring, nitrile elastomers.

## Options selector

F7★G-★-★-★-★-★

Series	Substitute	Element	Substitute
72	2	5 µm	1
73	3	25 µm	2
74	4	40 µm	3
Port size	Substitute	Bowl	Substitute
1/4 (72 & 73)	2	Metal with liquid level indicator	D
3/8	3	Long metal with liquid indicator (72)	E
1/2 (73 & 74)	4	Transparent without guard (72, 73)	T
3/4 (74)	6	Long transparent without guard (72)	L*
		Long transparent with guard (72)	W*
		Transparent with guard (73, 74)	P
Threads	Substitute	Drain	Substitute
PTF	A	1/4 turn manual	Q
ISO Rc taper	B	Semi automatic	S
ISO G parallel	G	Auto drain*	A
Service life indicator	Substitute		
With (visual)	D		
With (electrical)	E		
Without	N		

\* Supplied with long bowl option only

# Excelon modular system

F72G, F73G, F74G General purpose filters

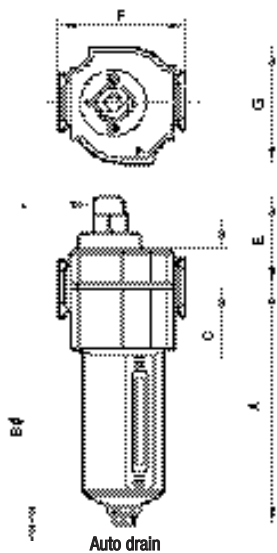
G $\frac{1}{4}$  to G $\frac{3}{4}$

## Accessories

Series	Port size	Wall mounting bracket	Quikmount pipe adaptors (quantity of 1)	Quikclamp	Quikclamp and Quikclamp wall bracket	Service life indicator (visual) **	Service life indicator (electrical) **
F72G	G $\frac{1}{4}$	4224-50	4215-08	4214-51	4214-52	5797-50	4020-51R
	G $\frac{3}{8}$		4215-09		4213-89*		
F73G	G $\frac{1}{4}$	4424-50	4315-09	4314-51	4314-52	5797-50	4020-51R
	G $\frac{3}{8}$		4315-10		4313-50*		
	G $\frac{1}{2}$		4315-11				
F74G	G $\frac{3}{4}$	4324-50	4315-10	4314-51	4314-52	5797-50	4020-51R
	G $\frac{1}{2}$		4315-11		4313-50*		
	G $\frac{3}{4}$		4315-12				

\*Bracket only.

\*\* Field replacement: cannot be retro-fitted to a standard filter



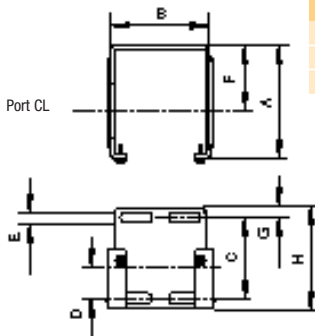
Auto drain

\* Optional service indicator

# Minimum clearance required to remove bowl

Series	Drain	A	B	C	E	F	G
72	Semi-auto	164	215	19	53	50	48
	Auto	141	192	19	53	50	48
	Manual	134	185	19	53	50	48
73	Auto	147	207	25	60	68	62
	Manual	156	216	25	60	68	62
74	Auto	161	230	25	60	80	74
	Manual	177	246	25	60	80	74

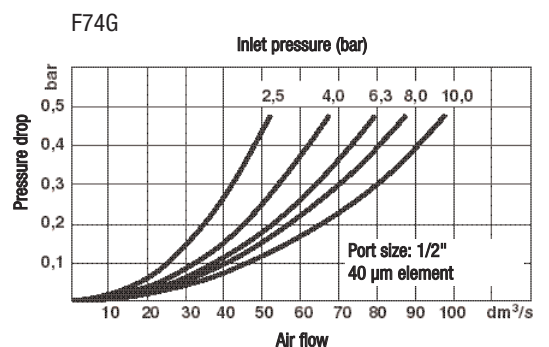
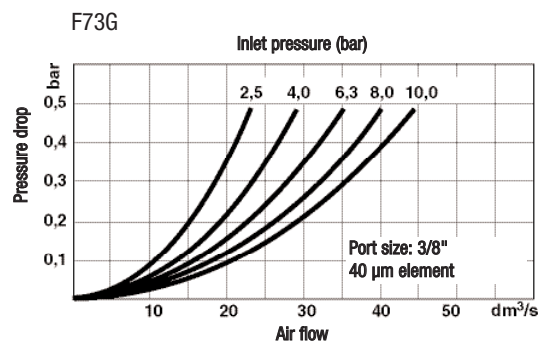
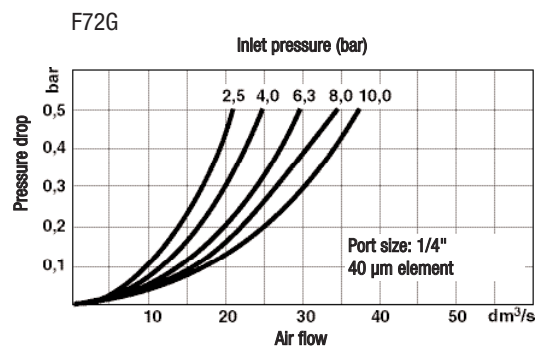
## Bracket mounting



See page 454 for further details

Series	A	B	C	D	E	F	G	H
72	60	42	39	18,6	4	38	6	51
73	67	60	48	19	7	38	6	61
74	79	69	50	20	5	51	6	61

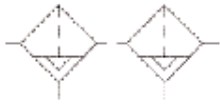
## Flow characteristics



# Excelon modular system

F72C, F73C, F74C, F74H 'Puraire'<sup>®</sup> oil removal filters

G<sup>1</sup>/<sub>4</sub> to G<sup>3</sup>/<sub>4</sub>



Excelon design allows in-line installation or modular installation with other Excelon products

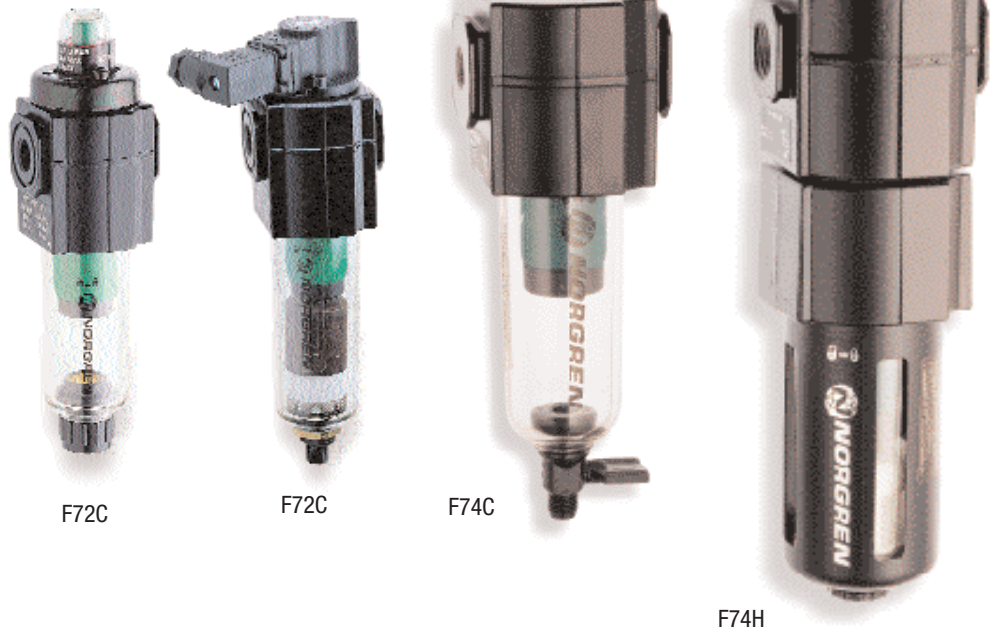
High efficiency oil and particle removal.

Quick release bayonet bowl

Standard service life indicator turns from green to red when the filter element needs to be replaced

Optional electrical service life indicator gives an electrical signal when the filter element needs to be replaced

Note: Install with 5 µm pre-filter upstream.



## Technical data

Medium:

Compressed air

Maximum inlet pressure:  
10 bar transparent bowl or guarded  
8 bar transparent bowl F72C with auto drain

17 bar metal bowl

8 bar metal bowl F72C with auto drain

Air quality output:

ISO8573-1 : Class 1.7.2

Remaining oil content:

0,01 mg/m<sup>3</sup> at +21°C

Particle removal:

0,01 µm

Ambient temperature:

Transparent bowl: -34° to +50°C

Metal bowl: -34° to +65°C

Consult our Technical Service for use below +2°C

## Materials

F72C:

Body: zinc

Transparent bowl: polycarbonate

Metal bowl: zinc

Liquid level indicator lens (metal bowl): transparent nylon

Element: synthetic fibre & polyurethane foam

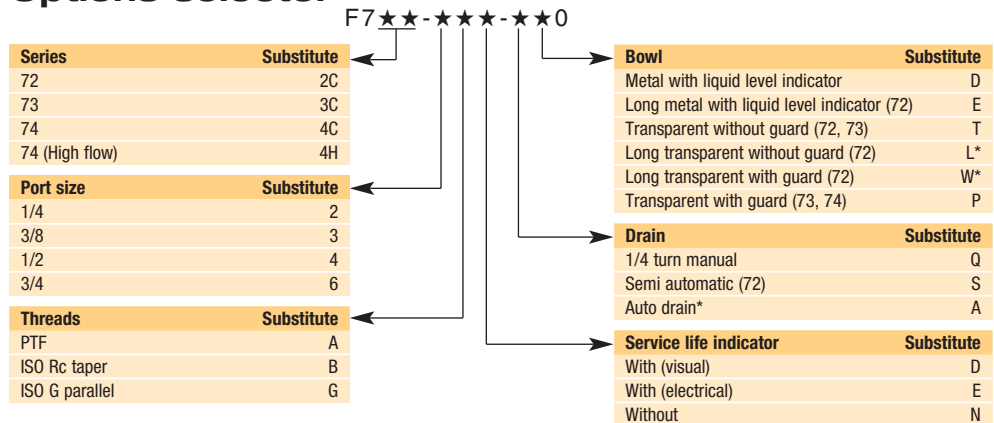
Elastomers: neoprene & nitrile

Service life indicator: transparent nylon body, acetal internal parts, stainless steel spring, nitrile elastomers.

Port size	Flow (dm <sup>3</sup> /s) #	kg	Bowls	Model Auto	Manual	Semi-auto	Service kit	Coalescing element
G1/4	4,5	0,40	Transparent	F72C-2GD-ALO	F72C-2GD-QTO	F72C-2GD-STO	4380-500	5925-09
G1/4	10,0	0,54	Transparent	F73C-2GD-ATO	F73C-2GD-QTO		4380-602	4444-01
G3/8	4,5	0,40	Transparent	F72C-3GD-ALO	F72C-3GD-QTO	F72C-3GD-STO	4380-500	5925-09
G3/8	10,0	0,54	Transparent	F73C-3GD-ATO	F73C-3GD-QTO		4380-602	4444-01
G3/8	16,0	0,85	Guarded transparent	F74C-3GD-APO	F74C-3GD-QPO		4380-730	4344-01
G1/2	10,0	0,54	Transparent	F73C-4GD-ATO	F73C-4GD-QTO		4380-602	4444-01
G1/2	16,0	0,83	Guarded transparent	F74C-4GD-APO	F74C-4GD-QPO		4380-730	4344-01
G1/2	28,0	1,11	Guarded transparent	F74H-4GD-APO	F74H-4GD-QPO		4380-730	4344-02
G3/4	28,0	1,10	Guarded transparent	F74H-6GD-APO	F74H-6GD-QPO		4380-730	4344-02

# Maximum flow with 6,3 bar inlet pressure, to maintain stated oil removal characteristics.

## Options selector



F73C, F74C, F74H:

Body: aluminium

Transparent bowl: polycarbonate

Guarded transparent bowl: polycarbonate with steel guard

Metal bowl: aluminium

Liquid level indicator lens (metal bowl): transparent nylon (Pyrex optional)

Element: synthetic fibre & polyurethane foam

Elastomers: neoprene & nitrile

Service life indicator: transparent nylon body, acetal internal parts, stainless steel spring, nitrile elastomers.

## Typical performance characteristics

Inlet pressure (bar)	Maximum flow dm <sup>3</sup> /s*			
	F72C	F73C	F74C	F74H
1	1,8	4,0	6,4	11,2
3	3,1	6,9	11,0	19,3
5	4,0	8,9	14,3	24,9
6,3	4,5	10,0	16,0	28,0
7	4,7	10,5	16,9	29,5
9	5,4	12,0	19,1	33,5

\* Maximum flow to maintain stated oil removal performance

# Excelon modular system

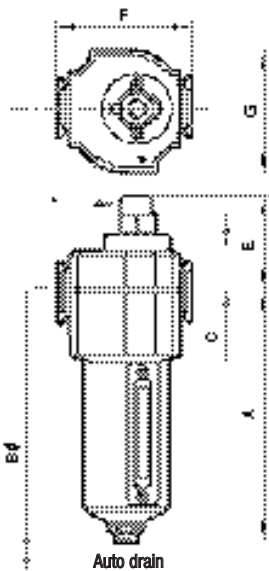
F72C, F73C, F74C, F74H 'Puraire'<sup>®</sup> oil removal filters

G<sup>1</sup>/<sub>4</sub> to G<sup>3</sup>/<sub>4</sub>

## Accessories

Series	Port size	Wall mounting bracket	Quikmount pipe adaptors (quantity of 1)	Quikclamp	Quikclamp and Quikclamp wall bracket	Service life indicator (visual)	Service life indicator (electrical)
F72C	G <sup>1</sup> / <sub>4</sub>	4224-50	4215-08	4214-51	4214-52	5797-50	4020-51R
	G <sup>3</sup> / <sub>8</sub>		4215-09		4213-89*		
F73C	G <sup>1</sup> / <sub>4</sub>	4424-50	4315-09	4314-51	4314-52	5797-50	4020-51R
	G <sup>3</sup> / <sub>8</sub>		4315-10		4313-50*		
	G <sup>1</sup> / <sub>2</sub>		4315-11				
	G <sup>3</sup> / <sub>4</sub>		4315-12				
F74C, F74H	G <sup>3</sup> / <sub>8</sub>	4324-50	4315-10	4314-51	4314-52	5797-50	4020-51R
	G <sup>1</sup> / <sub>2</sub>		4315-11		4313-50*		
	G <sup>3</sup> / <sub>4</sub>		4315-12				

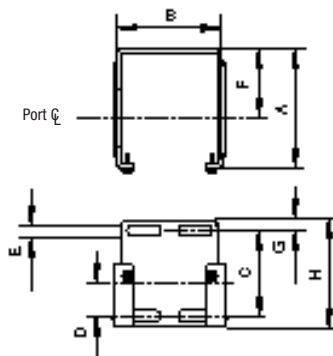
\*Bracket only.



\* Standard service indicator

# Minimum clearance required to remove bowl

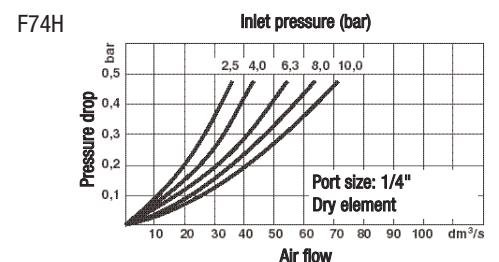
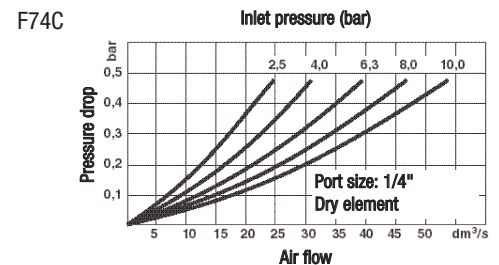
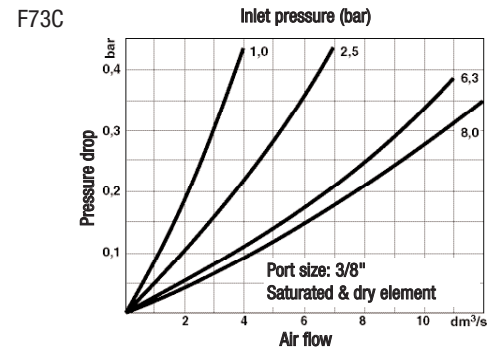
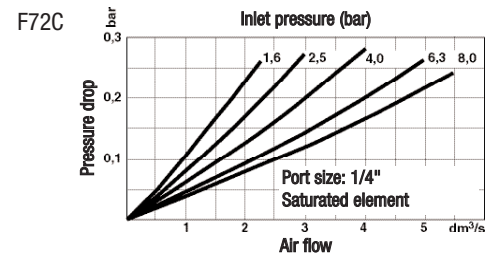
## Bracket mounting



Series	Drain	A	B	C	E	F	G
F72C	Semi-auto	164	215	19	53	50	48
	Auto	141	192	19	53	50	48
	Manual	134	185	19	53	50	48
F73C	Auto	147	207	25	60	68	62
	Manual	156	216	25	60	68	62
F74C	Auto	161	230	25	60	80	74
	Manual	177	246	25	60	80	74
F74H	Auto	215	284	25	60	80	74
	Manual	230	300	25	60	80	74

Series	A	B	C	D	E	F	G	H
72	60	42	39	18,6	4	38	6	51
73	67	60	48	19	7	38	6	61
74	79	69	50	20	5	51	6	61

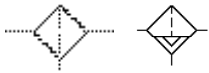
## Flow characteristics



# Excelon modular system

F72V, F74V 'Ultraire®' oil vapour removal filters

G $\frac{1}{4}$  to G $\frac{3}{4}$



Excelon design allows in-line or modular installation with other Excelon products

Adsorbing type activated carbon element removes oil vapours and most hydrocarbon odours

High intensity blue colour change indication (F72V)

## Technical data

Medium:

Compressed air

Maximum inlet pressure:

10 bar (F72V)

17 bar (F74V)

Air quality output:

Within ISO 8573-1, Class 1.7.1 (oil content) when installed downstream of an oil removal filter.

Remaining oil content:

0,003 mg/m<sup>3</sup> max. at +20°C.

Ambient temperature:

-34°C to +65°C

Consult our Technical Service for use below +2°C

## Materials

F72V:

Body: zinc

Transparent bowl: polycarbonate

Metal bowl: zinc

Element: activated carbon & polycarbonate

Elastomers: nitrile

F74V:

Body & bowl: aluminium

Element: activated carbon & aluminium

Elastomers: neoprene & nitrile



F72V



F74V

Port size	Flow (dm <sup>3</sup> /s) *	Bowls	kg	Model	Service kit	Element
G1/4	1,6	Transparent	0,52	F72V-2GN-ETC	4380-500	4241-01
G3/8	1,6	Transparent	0,52	F72V-3GN-ETC	4380-500	4241-01
G3/8	13	Metal	1,15	F74V-3GN-EMA	4380-750	4341-01
G1/2	13	Metal	1,14	F74V-4GN-EMA	4380-750	4341-01
G3/4	13	Metal	1,12	F74V-6GN-EMA	4380-750	4341-01

\* Maximum flow with 6,3 bar inlet pressure to maintain stated oil removal performance.

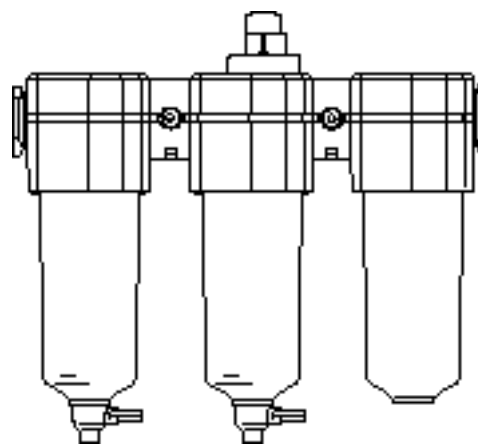
## Typical performance characteristics

Inlet pressure (bar)	Maximum flow dm <sup>3</sup> /s*	
	F72V	F74V
2,5	1,0	8,7
4	1,3	10,7
6,3	1,6	13,3
8	1,8	15,6
10	2,0	17,6

\* Maximum flow to maintain stated oil removal performance

Oil vapour removal filters must be protected upstream by an oil removal filter.

A typical assembly:



General purpose filter

Page 432

Oil removal filter

Page 434

Oil vapour removal filter



# Excelon modular system

F72V, F74V 'Ultraire®' oil vapour removal filters

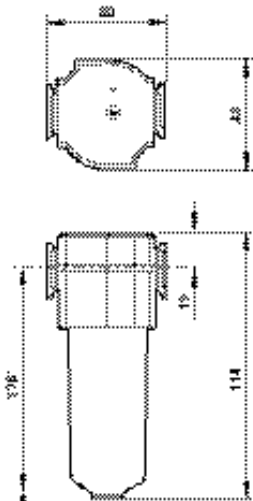
G $\frac{1}{4}$  to G $\frac{3}{4}$

## Accessories

Series	Port size	Wall mounting bracket	Quikmount pipe adaptors (quantity of 1)	Quikclamp	Quikclamp and Quikclamp wall bracket
F72V	G $\frac{1}{4}$	4224-50	4215-08	4214-51	4214-52
	G $\frac{3}{8}$		4215-09		4213-89*
F74V	G $\frac{3}{8}$	4324-50	4315-10	4314-51	4314-52
	G $\frac{1}{2}$		4315-11		4313-50*
	G $\frac{3}{4}$		4315-12		

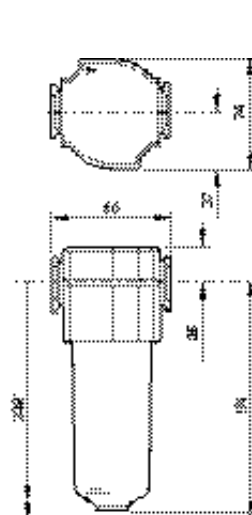
\*Bracket only

F72V



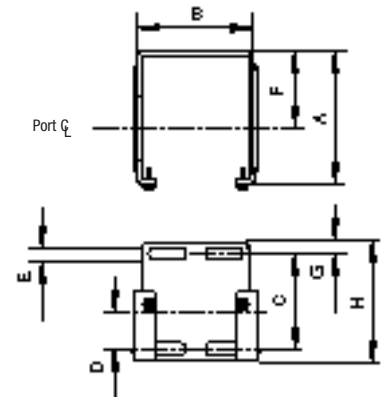
\* Minimum clearance required to remove bowl.

F74V



\* Minimum clearance required to remove bowl.

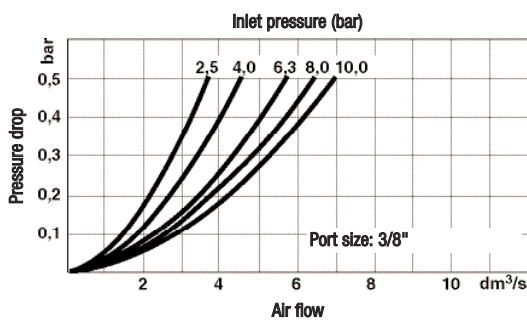
Bracket mounting



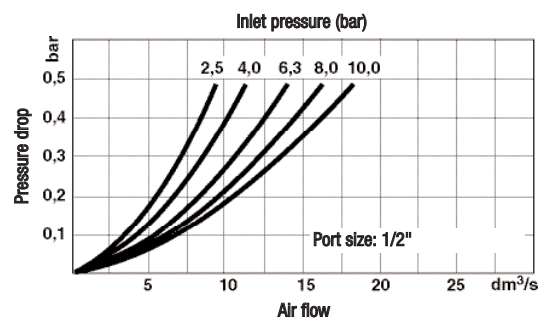
Series	A	B	C	D	E	F	G	H
72	60	42	39	18,6	4	38	6	51
74	79	69	50	20	5	51	6	61

## Flow characteristics

F72V



F74V



# Excelon modular system

B72G, B73G, B74G Filter/regulators

G $\frac{1}{4}$  to G $\frac{3}{4}$



Excelon design allows in-line installation or modular installation with other Excelon products

High efficiency water and particle removal

Quick release bayonet bowl

Push to lock adjusting knob with tamper resistant accessory

Optional patented quarter turn manual drain



B72G



B73G



B74G

## Technical data

Medium:

Compressed air

Maximum inlet pressure:

10 bar (transparent bowl)

17 bar (metal bowl)

10 bar (B72G with metal bowl & auto drain)

Gauge ports:

G $\frac{1}{8}$

Ambient temperature:

Transparent bowl: -34° to +50°C

Metal bowl: -34° to +65°C (B72G)

Metal bowl: -34°C to +80°C (B73G & B74G).

Consult our Technical Service for use below +2°C

Port size	Flow (dm <sup>3</sup> /s) #	Bowls	kg	Model Auto	Manual	Semi-auto	Service kit	Element
G1/4	38	Transparent	0,56	B72G-2GK-AL3-RMN	B72G-2GK-QT3-RMN	B72G-2GK-ST3-RMN	4383-500	5925-02
G1/4	49	Transparent	0,7	B73G-2GK-AT3-RMN	B73G-2GK-QT3-RMN	-	4383-600	4438-03
G3/8	38	Transparent	0,56	B72G-3GK-AL3-RMN	B72G-3GK-QT3-RMN	B72G-3GK-ST3-RMN	4383-500	5925-02
G3/8	50	Transparent	0,7	B73G-3GK-AT3-RMN	B73G-3GK-QT3-RMN	-	4383-600	4438-03
G3/8	77	Guarded transparent	1,25	B74G-3GK-AP3-RMN	B74G-3GK-QP3-RMN	-	4383-700	4338-05
G1/2	50	Transparent	0,7	B73G-4GK-AT3-RMN	B73G-4GK-QT3-RMN	-	4383-600	4438-03
G1/2	100	Guarded transparent	1,25	B74G-4GK-AP3-RMN	B74G-4GK-QP3-RMN	-	4383-700	4338-05
G3/4	100	Guarded transparent	1,30	B74G-6GK-AP3-RMN	B74G-6GK-QP3-RMN	-	4383-700	4338-05

Models listed include ISO G threads, knob adjustment, semi automatic drain, 40 μm element, relieving diaphragm, 0,3 to 10 bar outlet pressure adjustment range without gauge.

# Typical flow with 10 bar inlet pressure, 6,3 bar set pressure and a 1 bar droop from set.

## Options selector

B7★G-★-★-★-★-★-★-★

Series	Substitute
72	2
73	3
74	4
Port size	Substitute
1/4" (72 & 73)	2
3/8"	3
1/2" (73 & 74)	4
3/4" (74)	6
Threads	Substitute
PTF	A
ISO Rc taper	B
ISO G parallel	G
Adjustment	Substitute
Knob	K
T-bar	T
Drain	Substitute
1/4 turn manual	Q
Semi automatic (72)	S
Auto drain**	A

Gauge	Substitute
With	G
Without	N
Outlet pressure adjustment range*	Substitute
0,3 ... 2 bar (72)	C
0,3 ... 4 bar	F
0,3 ... 10 bar	M
0,7 ... 17 bar (73, 74)	S
Diaphragm	Substitute
Relieving	R
Non relieving	N
Element	Substitute
5 μm	1
25 μm	2
40 μm	3
Bowl	Substitute
Metal with liquid level indicator	D
Long metal with liquid level indicator (72)	E
Transparent without guard (72, 73)	T
Long transparent without guard (72)	L
Long transparent with guard (72)	W
Transparent with guard (73,74)	P

\* Outlet pressure can be adjusted to pressures in excess of, and less than, those specified. Do not use these units to control pressures outside of the specified ranges.

\*\*Supplied in long bowl options only

## Materials

B72G:

Body: zinc

Bonnet: acetal

Valve: brass

Transparent bowl: polycarbonate

Metal bowl: zinc

Liquid level indicator lens (metal bowl): transparent nylon

Element: sintered polypropylene

Elastomers: neoprene & nitrile

B73G & B74G:

Body & bonnet: aluminium

Valve: brass

Transparent bowl: polycarbonate

Guarded transparent bowl: polycarbonate with steel

Metal bowl: aluminium

Liquid level indicator lens (metal bowl): transparent nylon (Pyrex optional)

Element: sintered polypropylene

Elastomers: neoprene & nitrile

# Excelon modular system

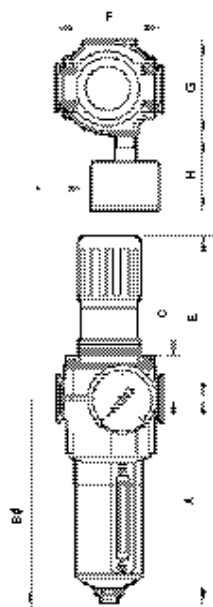
B72G, B73G, B74G Filter/regulators

G $\frac{1}{4}$  to G $\frac{3}{4}$

## Accessories

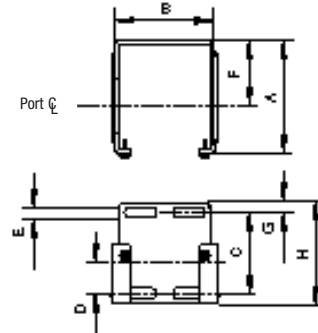
Series	Port size	Wall mounting bracket	Neck mounting bracket	Gauge 0 ... 10 bar‡	Panel nut	Tamper resistant cover and seal wire	Quikmount pipe adaptors (quantity of 1)	Quikclamp	Quikclamp and Quikclamp wall bracket
B72G	G $\frac{1}{4}$ G $\frac{3}{8}$	4224-50	74316-50	18-013-989	4248-89	4255-51	4215-08 4215-09	4214-51	4214-52 4213-89*
B73G	G $\frac{1}{4}$ G $\frac{3}{8}$ G $\frac{1}{2}$ G $\frac{3}{4}$	4424-50	4461-50	18-013-013	5191-88	4455-51	4315-09 4315-10 4315-11 4315-12	4314-51	4314-52 4313-50*
B74G	G $\frac{3}{8}$ G $\frac{1}{2}$ G $\frac{3}{4}$	4324-50	4368-51	18-013-013	4348-89	4355-51	4315-10 4315-11 4315-12	4314-51	4314-52 4313-50*

\* Bracket only. ‡ Other pressure ranges available – see page 486



\* Optional gauge.  
# Minimum clearance required to remove bowl.

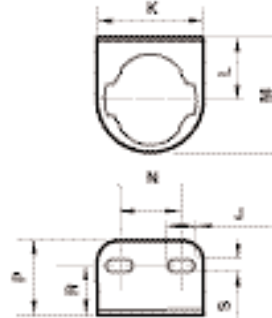
Bracket mounting



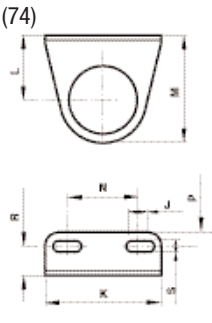
Series	A	B	C	D	E	F	G	H
72	60	42	39	18,6	4	38	6	51
73	67	60	48	19	7	38	6	61
74	79	69	50	20	5	51	6	6

Series	Drain	A	B	C	E	F	G	H	Panel Ø	Panel depth
72	Semi-auto	164	215	26	73	50	48	35	40	0 ... 4
	Auto	141	192	26	73	50	48	35	40	0 ... 4
	Manual	134	185	26	73	50	48	35	40	0 ... 4
73	Auto	147	207	31	96	68	62	56	48	2 ... 6
	Manual	156	216	31	96	68	62	56	48	2 ... 6
74	Auto	161	230	31	127	80	74	56	52	2 ... 6
	Manual	177	246	31	127	80	74	56	52	2 ... 6

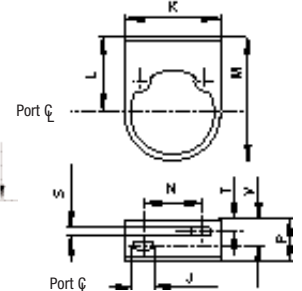
Neck mounting bracket (73)



Neck mounting bracket (74)

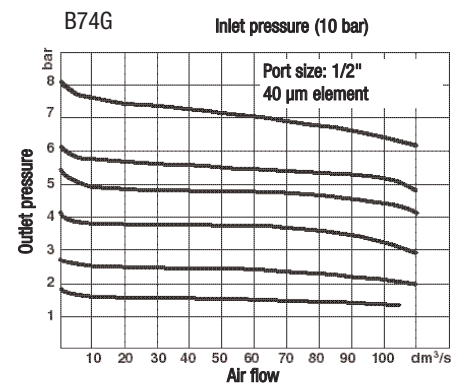
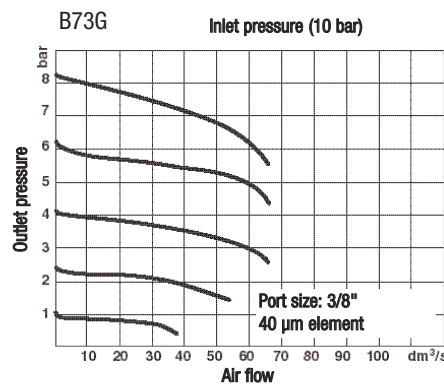
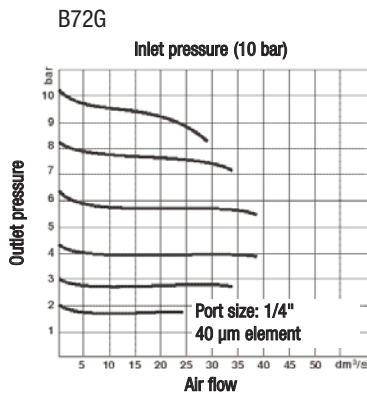


(72)



Series	J	K	L	M	N	P	R	S	T	V
72	8	49	38	63,5	30	24	–	4,4	8	15
73	17	64	38	70	38	38	25	7	–	–
74	24	89	52	86	56	35	23	7	–	–

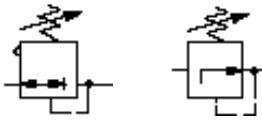
## Flow characteristics



# Excelon modular system

## R72G, R73G, R74G Pressure regulators

G $\frac{1}{4}$  to G $\frac{3}{4}$



Excelon design allows in-line or modular installation

Full flow gauge ports

Balanced valve design for optimum pressure control

Standard relieving models allow reduction of downstream pressure when the system is dead-ended

Push to lock adjusting knob with tamper resistant accessory

Manifold regulators can be banked together to provide numerous regulated pressures from a common primary pressure

### Technical data

Medium:

Compressed air

Maximum inlet pressure: 20 bar

Gauge ports:

G $\frac{1}{8}$

Ambient temperature:

-34°C to +65°C (R72G)

-34°C to +80°C (R73G & R74G)

Consult our Technical Service for use below +2°C

### Materials

R72G:

Body: zinc

Bonnet & bottom plug: acetal

Valve: brass

Elastomers: nitrile

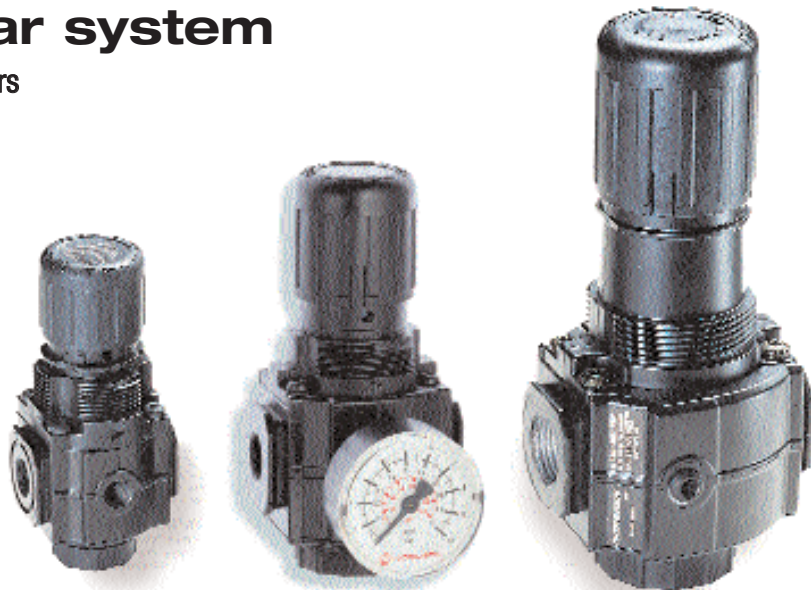
R73G & R74G:

Body & bonnet: aluminium

Valve: brass

Elastomers: nitrile

Bottom plug: acetal



R72G

R73G

R74G

Port size	Flow (dm <sup>3</sup> /s) #	kg	Model	Service kit
G $\frac{1}{4}$	33	0,36	R72G-2GK-RMN	4381-500
G $\frac{1}{4}$	50	0,48	R73G-2GK-RMN	4381-600
G $\frac{3}{8}$	33	0,36	R72G-3GK-RMN	4381-500
G $\frac{3}{8}$	60	0,48	R73G-3GK-RMN	4381-600
G $\frac{3}{8}$	98	0,82	R74G-3GK-RMN	4381-700
G $\frac{1}{2}$	60	0,48	R73G-4GK-RMN	4381-600
G $\frac{1}{2}$	105	0,80	R74G-4GK-RMN	4381-700
G $\frac{3}{4}$	105	0,78	R74G-6GK-RMN	4381-700

Models listed include unidirectional flow, ISO G threads, knob adjustment, relieving diaphragm, 0,3 to 10 bar outlet pressure adjustment range without gauge.

# Typical flow with 10 bar inlet pressure, 6,3 bar set pressure and a 1 bar droop from set.

### Options selector

R7★-★-★-★-★-★-★

<b>Series</b>	<b>Substitute</b>	<b>Gauge</b>	<b>Substitute</b>
72	2	With	G
73	3	Without	N
74	4		
<b>Flow type</b>	<b>Substitute</b>	<b>Outlet pressure adjustment range*</b>	<b>Substitute</b>
Uni-directional	G	0,3 ... 2 bar (72)	C
Reverse	R	0,3 ... 4 bar	F
Manifold (72 only)	M	0,3 ... 10 bar	M
		0,7 ... 17 bar** (73, 74)	S
<b>Port size</b>	<b>Substitute</b>	<b>Diaphragm</b>	<b>Substitute</b>
1/4" (72 & 73)	2	Relieving	R
3/8"	3	Non relieving	N
1/2" (73 & 74)	4		
3/4" (74)	6	<b>Adjustment</b>	<b>Substitute</b>
<b>Threads</b>	<b>Substitute</b>	Knob	K
PTF	A	T-bar	T
ISO Rc taper	B		
ISO G parallel	G		

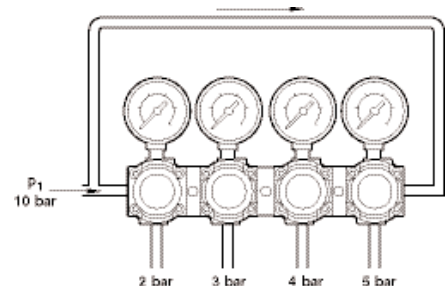
\*Outlet pressure can be adjusted to pressures in excess of, and less than, those specified. Do not use these units to control pressures outside of the specified ranges.

\*\*Units with 17 bar outlet pressure range are available only with the T-bar adjustment; therefore substitute T at the 7th position and S at the 9th position.

### R72M Manifold pressure regulators

These products allow inlet pressure to pass directly through the body. The outlet port is at right angles to the inlet. This then allows units to be 'Quikclamped' together in a bank meaning numerous regulated pressures can be obtained from a single supply – see illustration.

R72M pressure regulators are ideal for control cabinet installations where neat, compact assemblies are required. See pages 453 and 454 for part number details for Quikclamp connectors and page 486 for pressure gauges.



# Excelon modular system

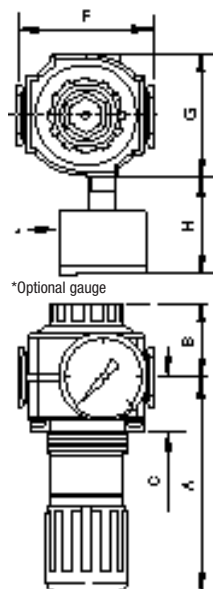
R72G, R73G, R74G Pressure regulators

G $\frac{1}{4}$  to G $\frac{3}{4}$

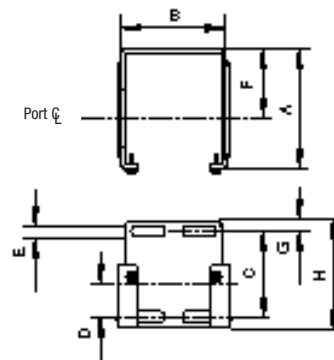
## Accessories

Series	Port size	Wall mounting bracket	Neck mounting bracket	Gauge 0 ... 10 bar‡	Panel nut	Tamper resistant cover and seal wire	Quikmount pipe adaptors (quantity of 1)	Quikclamp	Quikclamp and Quikclamp wall bracket
R72G	G $\frac{1}{4}$	4224-50	74316-50	18-013-989	4248-89	4255-51	4215-08	4214-51	4214-52
R72M	G $\frac{3}{8}$			18-013-027			4215-09		4213-89*
R73G	G $\frac{1}{4}$	4424-50	4461-50	18-013-013	5191-88	4455-51	4315-09	4314-51	4314-52
	G $\frac{3}{8}$						4315-10		4313-50*
	G $\frac{1}{2}$						4315-11		
	G $\frac{3}{4}$						4315-12		
R74G	G $\frac{3}{8}$	4324-50	4368-51	18-013-013	4348-89	4355-51	4315-10	4314-51	4314-52
	G $\frac{1}{2}$						4315-11		4313-50*
	G $\frac{3}{4}$						4315-12		

\* Bracket only. ‡ Other pressure ranges available – see page 486

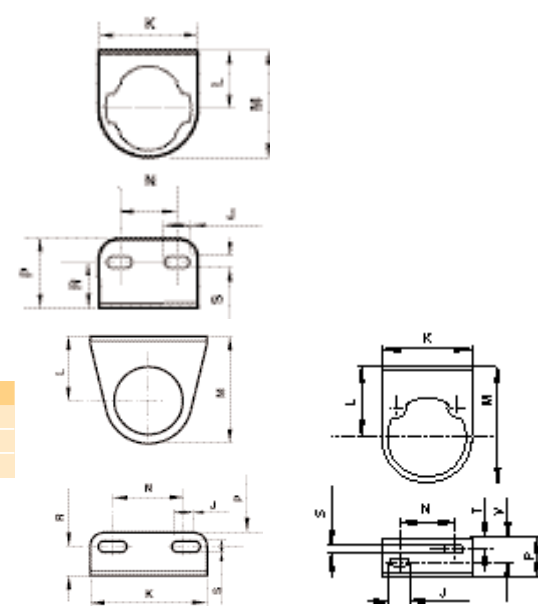


Bracket mounting



Series	A	B	C	D	E	F	G	H
72	60	42	39	18,6	4	38	6	51
73	67	60	48	19	7	38	6	61
74	79	69	50	20	5	51	6	61

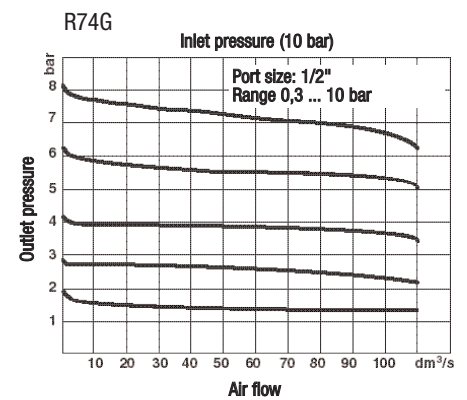
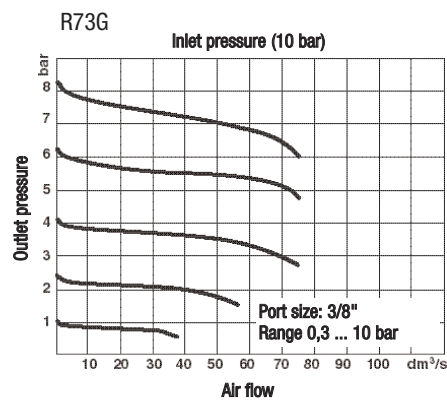
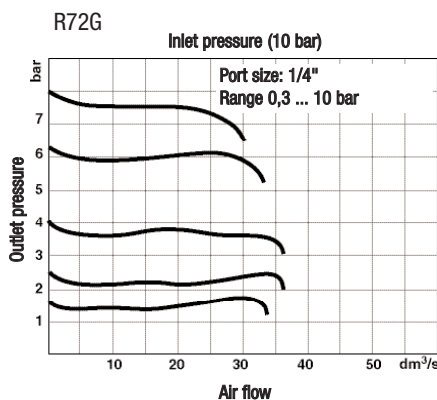
Neck mounting bracket



Series	J	K	L	M	N	P	R	S	T	V
72	8	49	38	63,5	30	24	-	4,4	7	10
73	17	64	38	70	38	38	25	7	-	-
74	24	89	52	86	56	35	23	7	-	-

Series	A	B	C	F	G	H	Panel Ø	Panel depth
72	73	33	26	50	48	35	40	0 ... 4
73	96	39	31	68	62	56	48	2 ... 6
74	127	43	31	80	74	56	52	2 ... 6

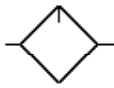
## Flow characteristics



# Excelon modular system

## L72, L73, L74 Lubricators

G $\frac{1}{4}$  to G $\frac{3}{4}$



Excelon design allows in-line or modular installation

Quick release bayonet bowl.

Flow sensor provides a nearly constant oil/air ratio over a wide range of flows

Highly visible, prismatic liquid level indicator lens on metal bowls

All round (360°) visibility of sight-feed dome for ease of drip rate setting

Micro-fog and oil-fog

### Technical data

Medium:

Compressed air

Maximum inlet pressure:

10 bar (transparent bowl)

17 bar (metal bowl)

Start point:

L72C 0,47 dm<sup>3</sup>/s

L72M 0,94 dm<sup>3</sup>/s

L73 0,71 dm<sup>3</sup>/s

L74 0,94 dm<sup>3</sup>/s

Minimum flow required for lubricator operation at 6,3 bar inlet pressure

Ambient temperature:

Transparent bowl: -20° to +50°C

Metal bowl:

-20° to +65°C (L72)

-20° to +80°C (L73 & L74)

Consult our Technical Service for use below +2°C

### Materials

L72M, L72C:

Body: zinc

Transparent bowl: polycarbonate

Metal bowl: zinc

Liquid level indicator lens (metal bowl): transparent nylon

Sight-feed dome: transparent nylon

Elastomers: neoprene, nitrile & Geolast

L73M, L73C, L74M, L74C:

Body: aluminium

Transparent bowl: polycarbonate

Guarded transparent bowl:

polycarbonate with steel guard

Metal bowl: aluminium

Liquid level indicator lens (metal bowl, 0,1 & 0,2 litre): transparent nylon

(Pyrex optional)

Sight-feed dome: transparent nylon

Elastomers: neoprene & nitrile



L72C



L73M



L74M

Port size	Flow (dm <sup>3</sup> /s) #	Bowls	Bowl capacity (litre)	kg	Model *	Service kit
G1/4	24	Transparent	0,06	0,49	L72M-2GP-ETN	4382-500
G1/4	50	Transparent	0,1	0,49	L73M-2GP-EPN	4382-600
G3/8	24	Transparent	0,04	0,49	L72M-3GP-ETN	4382-500
G3/8	64	Transparent	0,1	0,55	L73M-3GP-EPN	4382-600
G3/8	50	Guarded transparent	0,2	0,60	L74M-3GP-QPN	4382-700
G1/2	64	Transparent	0,1	0,55	L73M-4GP-EPN	4382-600
G1/2	70	Guarded transparent	0,2	0,60	L74M-4GP-QPN	4382-700
G3/4	70	Guarded transparent	0,2	0,90	L74M-6GP-EPN	4382-700

#Typical flow with 6,3 bar inlet pressure and 0,5 bar pressure drop.

\* Models listed in the order table must not be located downstream of frequently cycling directional control valves. Order the optional bi-directional oil-fog lubricator for use under such conditions.

### Options selector

Series	Substitute	Options	Substitute
72*	2	Low oil level switch** (74)	L
73*	3	None	N
74	4	Pyrex dome#	P
		Quick fill nipple (73, 74)	Q
Type	Substitute	Bowl	Substitute
Oil-fog	C	Metal with liquid level indicator	D
Micro-fog	M	Metal with Pyrex sight glass	R
Port size	Substitute	Transparent without guard (72, 73)	T
1/4 (72 & 73)	2	Long transparent without guard (72)	L
3/8	3	Long transparent with guard (72)	W
1/2 (73 & 74)	4	1 litre metal with Pyrex liquid level indicator‡ (74)	A
3/4 (74)	6	0,2 litre transparent with guard (73, 74)	P*
Threads	Substitute	Drain	Substitute
PTF	A	Closed bottom	E
ISO Rc taper	B	Manual 1/4 turn	Q
ISO G parallel	G	Remote fill device	R
Air flow direction	Substitute		
Bi-directional (74)	E		
Uni-directional	P		

\* Not available with 1 litre bowl

\* Not available with 1 litre bowl

\*\* Low oil level switch requires 1 litre bowl, type 'A' at 9th digit.

# Pyrex dome used only with bowl type 'A' or 'R' at 9th digit.

‡ Pyrex liquid level indicator used only with option 'P' at 10th digit.

# Excelon modular system

L72, L73, L74 Lubricators

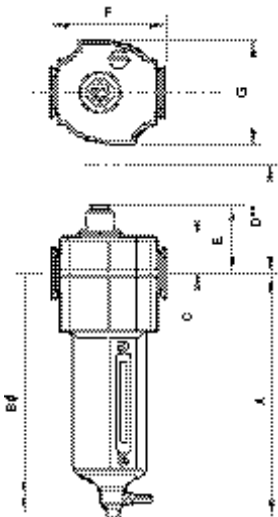
G $\frac{1}{4}$  to G $\frac{3}{4}$

## Accessories

Series	Port size	Wall mounting bracket	Quikmount pipe adaptors (quantity of 1)	Quikclamp	Quikclamp and Quikclamp wall bracket	Remote fill kit	Quick fill nipple	Tamper resistant snap-on cap for lubricator sight feed dome	Level switch ‡
L72	G1/4	4224-50	4215-08	4214-51	4214-52			4050-89	
	G3/8		4215-09		4213-89 *				
L73	G3/8	4424-50	4315-09	4314-51	4314-52		18-011-024	4050-89	
	G3/8		4315-10		4313-50*				
	G1/2		4315-11						
	G3/4		4315-12						
L74	G3/8	4324-50	4315-10	4314-51	4314-52	18-027-984	18-011-024		18-023-610**
	G1/2	4323-51**	4315-11		4313-50*				
	G3/4		4315-12						

\*Bracket only. \*\*To fit 1 litre bowl version # Pack of 10.

‡ Field conversion

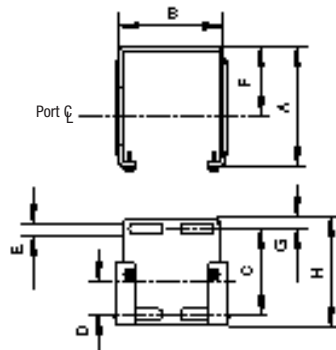


\*\* Optional Pyrex sight-feed dome.

# Minimum clearance required to remove bowl.

Series	A	B	C	D	E	F	G
72	110	191	19	64	41	50	48
73	156	255	25	70	47	68	62
74	177	276	25	68	47	80	74

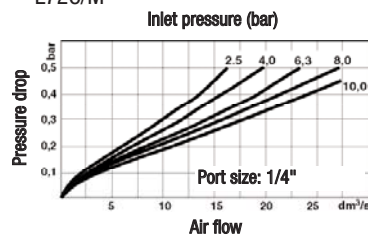
## Bracket mounting



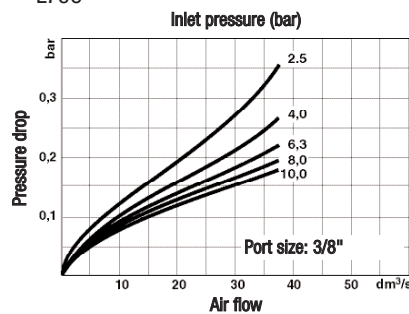
Series	A	B	C	D	E	F	G	H
72	60	42	39	18,6	4	38	6	51
73	67	60	48	19	7	38	6	61
74	79	69	50	20	5	51	6	61

## Flow characteristics

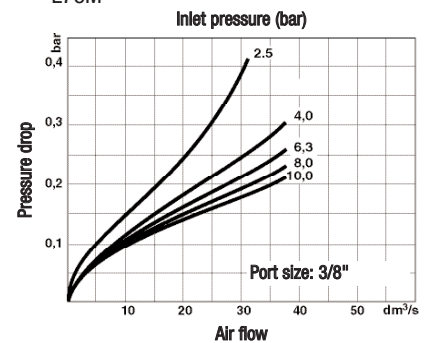
L72C/M



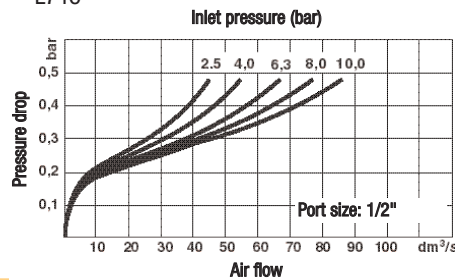
L73C



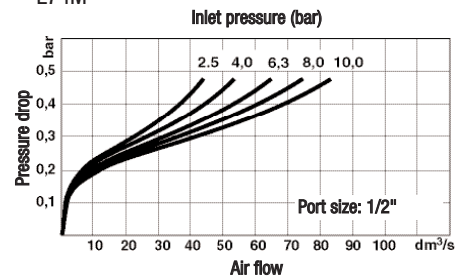
L73M



L74C



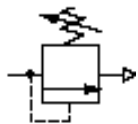
L74M



# Excelon modular system

## V72G, V74G Pressure relief valves

G $\frac{1}{4}$  to G $\frac{3}{4}$



Excelon design allows in-line installation or modular installation with other Excelon products

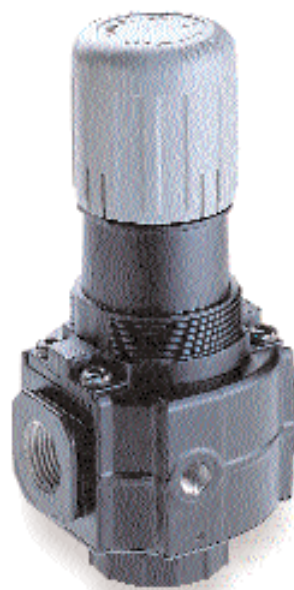
Push to lock adjusting knob with tamper resistant accessory

Helps protect air operated equipment from over pressure by retarding excessive pressure build up

Norgren pressure relief valves comply with category 0(S.E.P.) and category 1 of the Pressure Equipment Directive 97/23/EC. If categories 2, 3 or 4 products are required contact our Technical Services.



V72G



V74G

### Technical data

Medium:

Compressed air

Gauge ports:

G1/8

Relief port:

G1/4 (V72G), G1/2 (V74G)

Ambient temperature:

-34° to +65°C (V72G)

-34° to +80°C (V74G)

Consult our Technical Service for use below +2°C

### Materials

V72G:

Body: zinc body

Bonnet: acetal

Valve: brass

Elastomers: neoprene

Bottom plug: acetal

V74G:

Body & bonnet: aluminium

Valve: aluminium and nitrile

Elastomers: nitrile

Bottom plug: acetal

Port size	kg	Model	Service kit
G1/4	0,33	V72G-2GK-NMN	4209-03
G3/8	0,33	V72G-3GK-NMN	4209-03
G3/8	0,69	V74G-3GK-NMN	4384-700
G1/2	0,68	V74G-4GK-NMN	4384-700
G3/4	0,67	V74G-6GK-NMN	4384-700

Note: for Excelon 73 combinations use V74G.

Models listed include ISO G parallel threads, knob adjustment, and a 0,3 to 10 bar relief pressure adjustment range.

### Options selector

V7★G-★★★-N★★

<b>Series</b>	<b>Substitute</b>	<b>Gauge</b>	<b>Substitute</b>
72	2	With	G
73	3	Without	N
74	4	<b>Relief pressure adjustment range*</b>	<b>Substitute</b>
<b>Port size</b>	<b>Substitute</b>	0,3 ... 4 bar	F
1/4" (72)	2	0,3 ... 10 bar	M
3/8"	3	0,7 ... 17 bar (74)**	S
1/2" (74)	4	0,3 ... 2 bar (72)	C
3/4" (74)	6	<b>Adjustment</b>	<b>Substitute</b>
<b>Threads</b>	<b>Substitute</b>	Knob	K
PTF	A	T-bar	T
ISO Rc taper	B		
ISO G parallel	G		

\* Relief valve can be adjusted to pressures in excess of, and less than, those specified. Do not use these units to control pressures outside of the specified ranges.

\*\*Units with 17 bar relief pressure range are available only with the T-bar adjustment; therefore substitute T at the 7th position and S at the 9th position.

### Accessories

Series	Port size	Wall mounting bracket	Neck mounting bracket	Gauge 0 ... 10 bar‡	Panel nut	Tamper resistant cover and seal wire	Quikmount pipe adaptors (quantity of 1)	Quikclamp	Quikclamp and Quikclamp wall bracket
V72G	G1/4	4224-50	74316-50	18-013-989	4248-89	4255-51	4215-08	4214-51	4214-52
	G3/8						4215-09		4213-89*
V74G	G3/8						4315-10		4314-52
	G1/2	4324-50	4368-51	18-013-013	4348-89	4355-51	4315-11	4314-51	4313-50*
	G3/4						4315-12		

‡ Bracket only. # Other pressure ranges available – see page 486

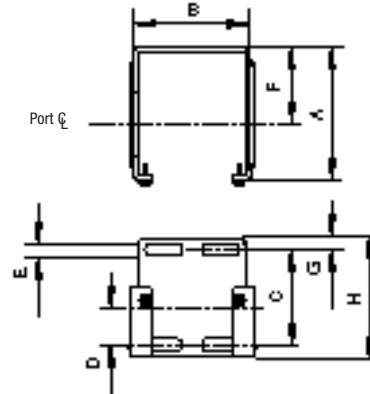
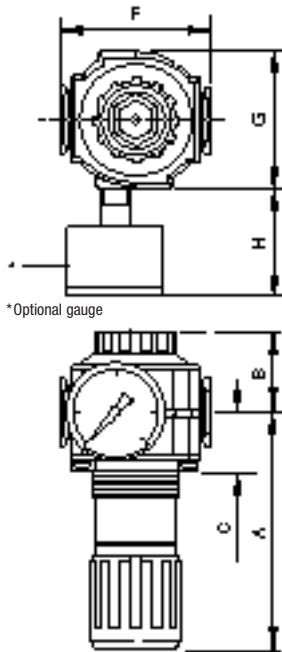


# Excelon modular system

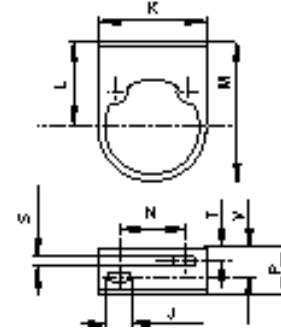
V72G, V74G Pressure relief valves

G $\frac{1}{4}$  to G $\frac{3}{4}$

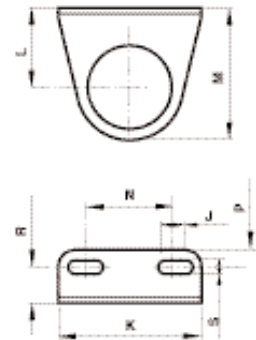
Bracket mounting



Neck mounting bracket (72)



Neck mounting bracket (74)

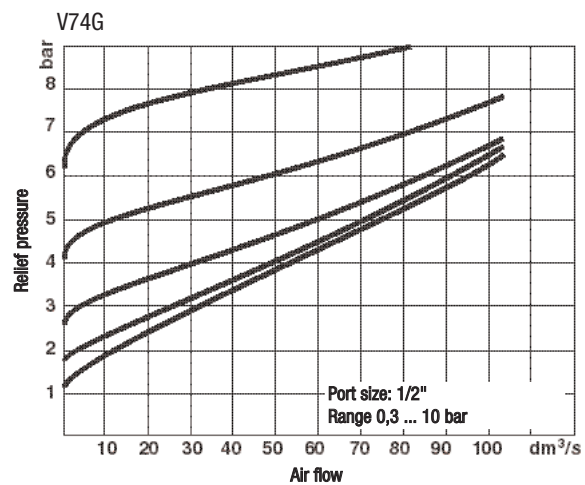
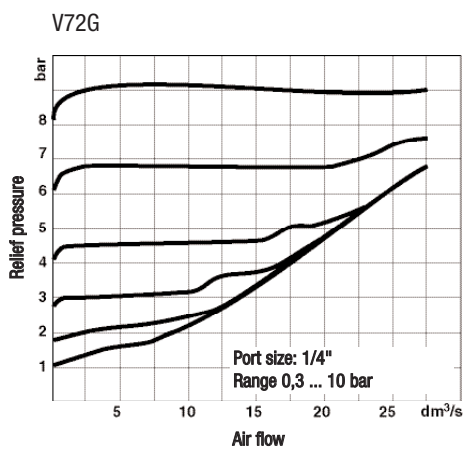


Series	A	B	C	D	E	F	G	H
72	60	42	39	18,6	4	38	6	51
74	79	69	50	20	5	51	6	61

Series	A	B	C	F	G	H	Panel Ø	Panel depth
72	73	25	26	50	48	35	40	0 ... 4
74	127	43	31	80	74	56	52	2 ... 6

Series	J	K	L	M	N	P	R	S	T	V
72	8,5	49	38	63,5	30	24	-	4,4	7	10
74	24	89	52	86	56	35	23	7	-	-

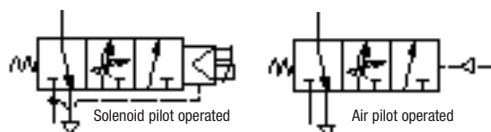
## Flow characteristics



# Excelon modular system

## P72F, P74F Soft start/dump valves

G $\frac{1}{4}$  to G $\frac{3}{4}$



Excelon design allows in-line or modular installation with other Excelon products

Assists machine designers in complying with the European Machinery Directive

Can help existing machinery to comply with PUWER (Provision and Use of Work Equipment Regulations)

Controlled increase of downstream pressure on start up

Solenoid or air pilot operated.

High forward flow capacity

High flow dump facility

Manual lockout option – when actuated overrides operating signal to dump downstream air



P72F



P74F

Port size	Solenoid operated model *	kg	Air pilot operated model	kg	Service kit
G1/4	P72F-2GC-PFN	2,0	P72F-2GA-NNN	0,88	**
G3/8	P72F-3GC-PFN	2,0	P72F-3GA-NNN	0,87	**
G3/8	P74F-3GC-PFN	1,08	P74F-3GA-NNN	1,05	**
G1/2	P74F-4GC-PFN	1,05	P74F-4GA-NNN	1,02	**
G3/4	P74F-6GC-PFN	1,41	P74F-6GA-NNN	1,35	**

\* Solenoid operated models are supplied with 22 mm 24 V d.c. 2 W solenoids but without connector plugs. To select alternative voltages and other options refer to the Options selector below. For connector plugs see next page.

\*\* Factory repair only

### Technical data

Medium:

Compressed air

Maximum operating pressure:

For solenoid operated versions: 10 bar

For pilot operated versions: 17 bar

Minimum operating pressure:

3 bar

Ambient temperature:

For solenoid operated versions: 5°C to +50°C.

For pilot operated versions: -20°C to +65°C.

Consult our Technical Service for use below +2°C

Air pilot port:

P74F M5

P74F Rc1/4

Exhaust port:

P72F Rc1/4

P74F G1/2

Maximum flow:

P72F 21 dm<sup>3</sup>/s

P74F 57 dm<sup>3</sup>/s

**Note:** Maximum flow with 6,3 bar inlet pressure and pressure drop of 0,5 bar

Snap pressure:

Full flow when downstream pressure reaches 50 to 80% of inlet pressure.

### Options selector

P7★F-★-★-★-★-★

Series	Substitute
72	2
73	3
74	4

Port size	Substitute
1/4" (72 & 73)	2
3/8"	3
1/2" (73 & 74)	4
3/4" (74)	6

Threads	Substitute
PTF	A
ISO Rc taper	B
ISO G parallel	G

Connectors	Substitute
3 pin plug with cable gland, no indicator	A
Without	N

Coil voltage	Nominal power rating	Substitute
24 V d.c.	2 W	F
12 V d.c.	2 W	E
6 V d.c.	2 W	D
220/240 V	4/2,5 VA	B
50/60 Hz		
110/120 V	4/2,5 VA	A
50/60 Hz		
No coil	2 W	Z
No solenoid		N

For standard 22 mm solenoids.

Solenoid manual operator	Substitute
Shrouded push button	P
None	N

Operator	Substitute
Air pilot*	A
Air pilot with manual lockout slide* (74)	B
22 mm miniature solenoid	C
22 mm miniature solenoid with manual lockout slide (74)	D
CNOMO solenoid	L
CNOMO solenoid with manual lockout slide (74)	M

\* To order air pilot models also substitute 'NNN' at digits 8, 9 and 10 e.g. P74F-4GA-NNN.

### Materials

P72F:

Body: zinc alloy

Elastomers: synthetic materials

Filter discs: sintered plastic

Internal components: brass/steel

P74F:

Body & intermediate body: aluminium

Elastomers: synthetic materials

Filter discs: sintered plastic

Internal components: brass/steel

Top plate & exhaust bonnet: zinc

# Excelon modular system

P72F, P74F Soft start/dump valves

G $\frac{1}{4}$  to G $\frac{3}{4}$

## Accessories

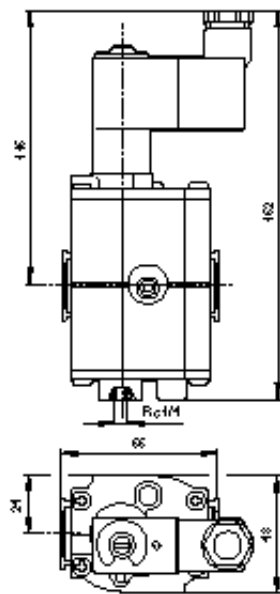
Series	Port size	Exhaust port silencer	Quikmount pipe adaptors (quantity of 1)	Quikclamp	Quikclamp and Quikclamp wall bracket	Plug with cable gland for 22 mm solenoid **			
P72F	G $\frac{1}{4}$	MB002B	4215-08				M/P24121/1*	12 ... 24 V a.c./d.c.	Indicator type
	G $\frac{3}{8}$		4215-09				M/P24121/2	150 ... 230 V a.c.	Indicator type
P74F	G $\frac{3}{8}$	MB004B	4315-10	4314-51	4314-52	M/P24121/1*	M/P19063	12 ... 24 V a.c./d.c.	No indicator
	G $\frac{1}{2}$		4215-11				M/P24121/2	150 ... 230 V a.c.	Indicator type
	G $\frac{3}{4}$		4315-12				M/P19063		No indicator

\*Reduced light intensity at 12 V. \*\* Bracket only.

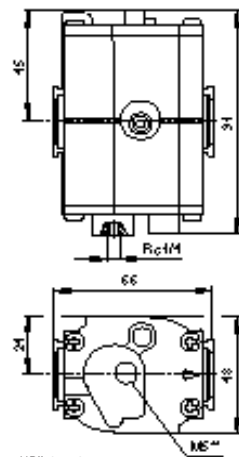
\*\* Refer to page 383 for other solenoid plugs

P72F

Solenoid operated



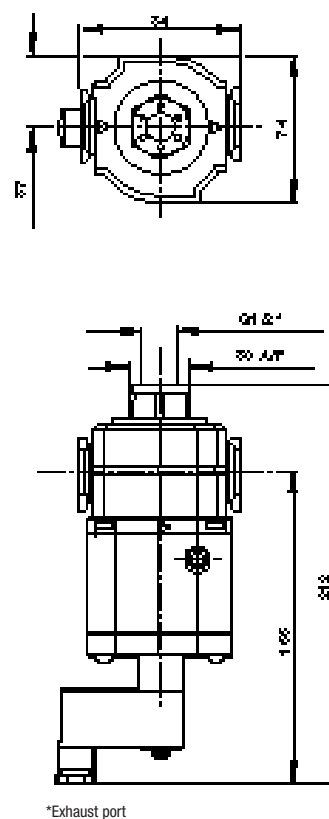
Air pilot operated



\*\*Pilot port

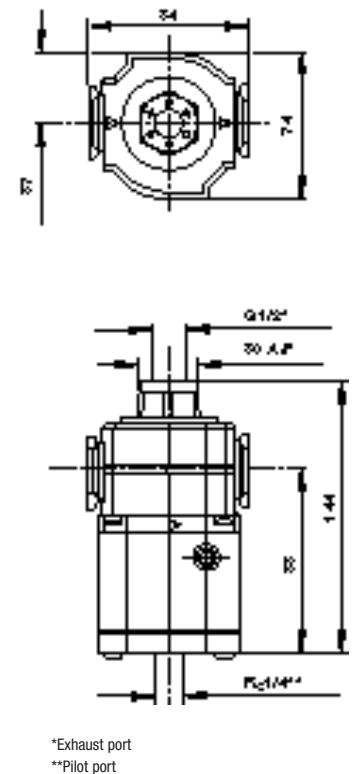
P74F

Solenoid operated



\*Exhaust port

Air pilot operated

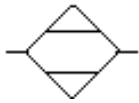


\*Exhaust port  
\*\*Pilot port

# Membrane driers

W07M, W72M, W74M

G1/4, G1/2



Removes water vapour from compressed air

Provides dewpoint suppression up to 44°C below the ambient temperature, depending on air flow through the membrane

Dewpoint suppression of 11°C below the ambient temperature is suitable for most industrial applications

W72 and W74 utilize the Excelon® Quikclamp™ design to provide in-line or modular installation with 72, 73 and 74 Series products

W07 available for in-line installation only

Easy installation, no power required

Maintenance free with proper pre-filtration

Minimal pressure drop

## Technical data

Medium:

Compressed air, pre-filtered to 0,01 µm and oil free (ISO 8573-1, class 1. \_ 2)

Maximum operating pressure:

10 bar

Ambient temperature:

-20 to 80°C\*

\*Air supply must be dry enough to avoid ice formation at temperatures below +2°C.

Required pre-filter:

General purpose filter (5 µm element) and an oil removal filter (0,01 µm particle removal) with equivalent pipe size and flow capacity equal to or greater than the membrane air dryer

Selection programme available on request

## Materials

Body and end caps:

Anodized aluminium

Membrane: polymeric materials

Port size	Nominal flow (dm <sup>3</sup> /s) *		Differential pressure (bar)	kg	Model *
	Outlet	Inlet			
G1/4	1,00	1,06	0,028	0,39	W07M-2GN-NNA
G1/4	2,40	2,65	0,023	0,82	W72M-2GN-NNB
G1/4	4,75	5,27	0,062	0,84	W72M-2GN-NNC
G1/2	9,50	10,47	0,045	1,60	W74M-4GN-NND
G1/2	14,20	15,76	0,093	1,79	W74M-4GN-NNE

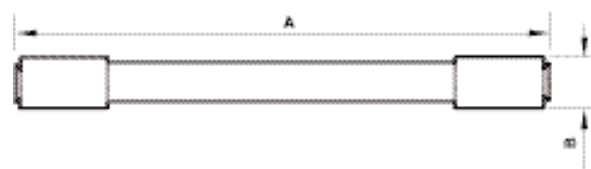
\* Nominal flow at 7 bar inlet pressure, 38°C ambient temperature, and a dew point suppression of 11°C. Flow demand affects dew point suppression.

## Options selector

Series		Substitute	Flow (dm <sup>3</sup> /s)		Substitute
07		07	1,00		A
72		72	2,40		B
74		74	4,75		C
			9,50		D
			14,20		E

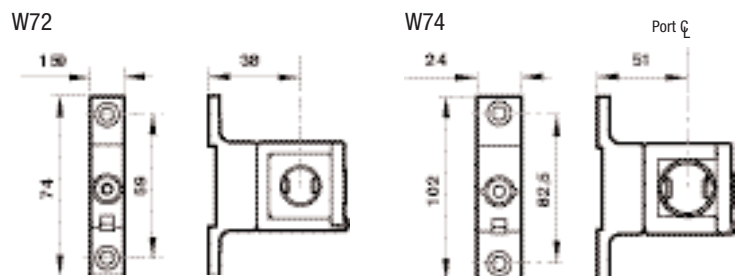
  

Port size		Substitute	Threads		Substitute
1/4		2	PTF		A
1/2		4	ISO G parallel		G

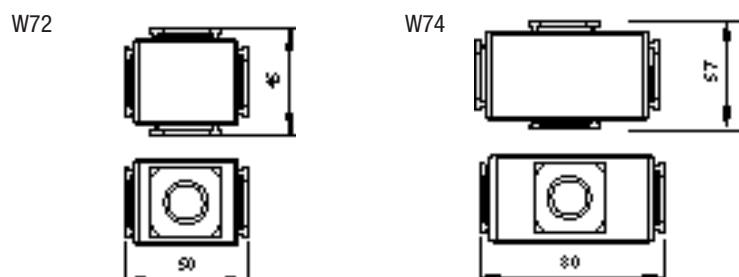


	A	B
W07M-2GN-NNA	406	30
W72M-2GN-NNB	457	44
W72M-2GN-NNC	483	44
W74M-4GN-NND	533	63
W74M-4GN-NNE	660	63

Quikclamp and Quikclamp wall bracket



Manifold blocks



# Membrane driers

W07M, W72M, W74M

G $\frac{1}{4}$ , G $\frac{1}{2}$

## Accessories

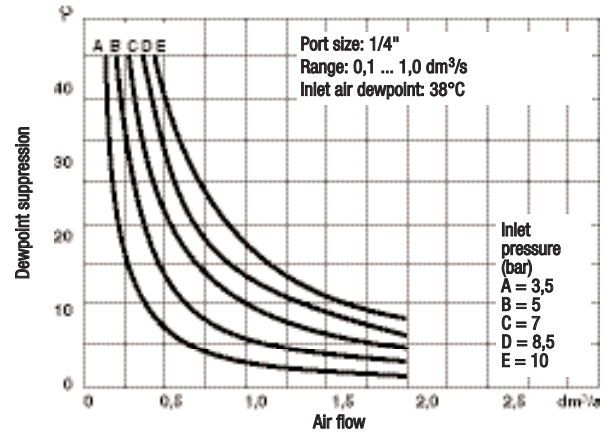
Series	Quikclamp and Quikclamp wall bracket	Quikclamp with O-rings
W72	4214-52	4214-51
W74	4314-52	4314-51

## Manifold blocks

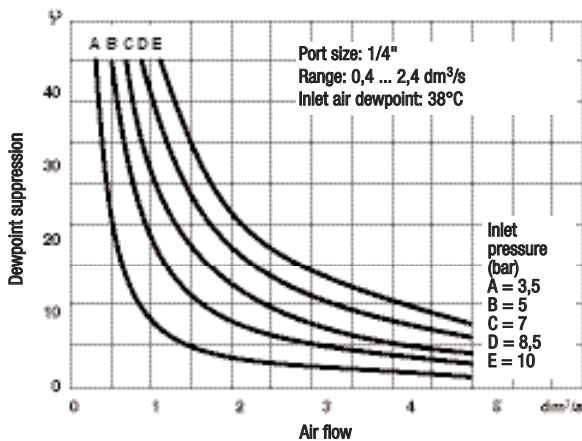
Series W72	Model	Series W74	Model
3/8" NPTF	4228-01	3/4" NPTF	4328-51
3/8" ISO Rc	4228-02	3/4" ISO Rc	4328-52
3/8" ISO G	4228-03	3/4" ISO G	4328-53

## Flow characteristics

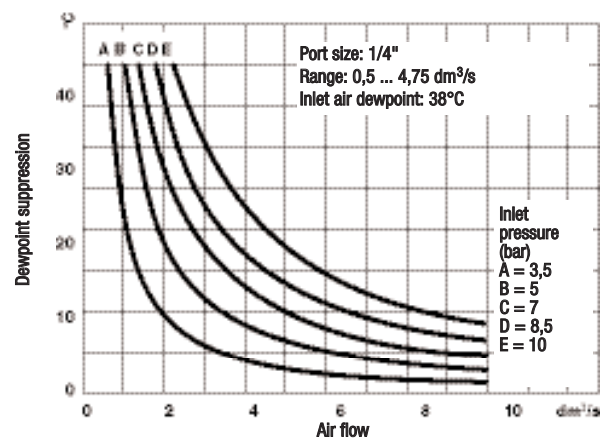
W07M-2GN-NNA



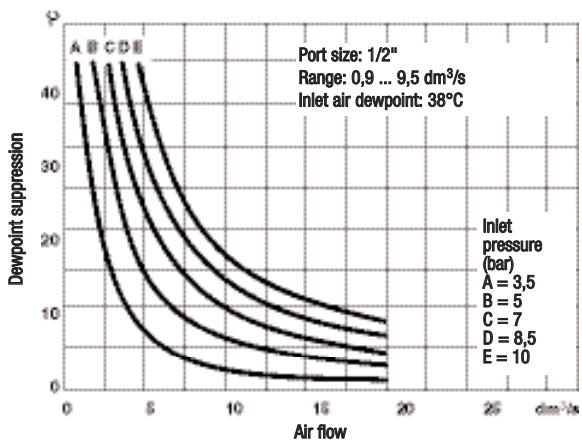
W72M-2GN-NNB



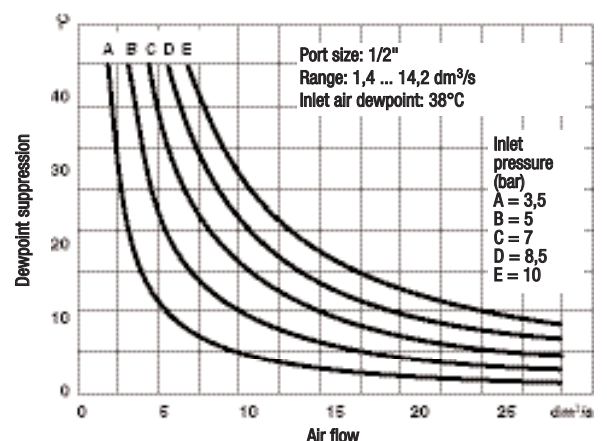
W72M-2GN-NNC



W74M-4GN-NND



W74M-4GN-NNE



# smartfri

## Air preparation assemblies with system diagnostics

Air preparation assemblies capable of monitoring their own performance advising of any problems via a Fieldbus link

Can help reduce energy, maintenance and purchasing costs

Can help minimise downtimes and 'end of line' product rejection

Can increase productivity

A 'smart fri' can perform the following functions -

- Can advise when filter element replacement is necessary
- Can advise when replenishment of lubricant is necessary
- Can advise of excessive or insufficient line pressures via an integral pressure 'window'
- Can operate an external device, e.g. a soft start/dump valve
- Can advise when your next scheduled maintenance is due
- Can record the highest and lowest line pressures seen
- Can record and advise the duration of service
- Can display pressure data in one of four units – bar, psi, Mpa or kg/cm<sup>2</sup>
- Can display data in one of five languages - English, French, German, Spanish or Italian

### Technical data

Medium:

Compressed air

Maximum pressure:

10 bar standard

17 bar optional

Port connections:

G1/2

Ambient temperature:

-20°C to +65°C

Air supply must be dry enough to avoid ice formation at temperatures below +2°C

Fieldbus protocol:

AS-i

Configuration:

3 inputs, 1 output

Mounting:

Modular within Excelon 73, 74

Olympian Plus 64\*

\*Under development



Series	Maximum operating pressure (bar)	kg	Model
Excelon 73, 74	10	0,85	A74G-NNE-1NN
Excelon 73, 74	17	0,85	A74G-NNF-1NN
Olympian 64	10	0,95	A64G-NNA-1NN
Olympian 64	17	0,95	A64G-NNB-1NN

### Options selector \*

\*(module only)

A★4G-NN★-★NN

Series	Substitute
Olympian 64**	6
Excelon 74 (or 73)	7

\*\* Under development

Type	Substitute
Olympian 64, 10 bar, nitrile	A
Olympian 64, 17 bar, nitrile	B
Olympian 64, 10 bar, viton	C
Olympian 64, 17 bar, viton	D
Excelon 74, 10 bar, nitrile	E
Excelon 74, 17 bar, nitrile	F
Excelon 74, 10 bar, viton	G
Excelon 74, 17 bar, viton	H

Protocol	Substitute
Busless*	0
AS-i	1
Profibus*	2
Interbus-S*	3
DeviceNet*	4

\* Under development – please contact our Technical Service

### Materials

Casing: ABS

Membrane keypad: plastic

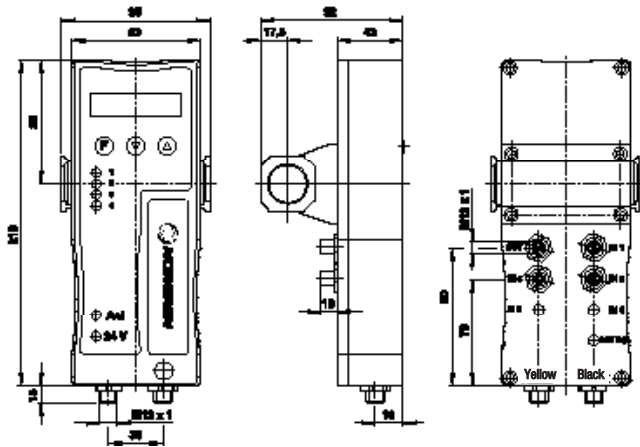
Connections: steel

Gaskets: nitrile

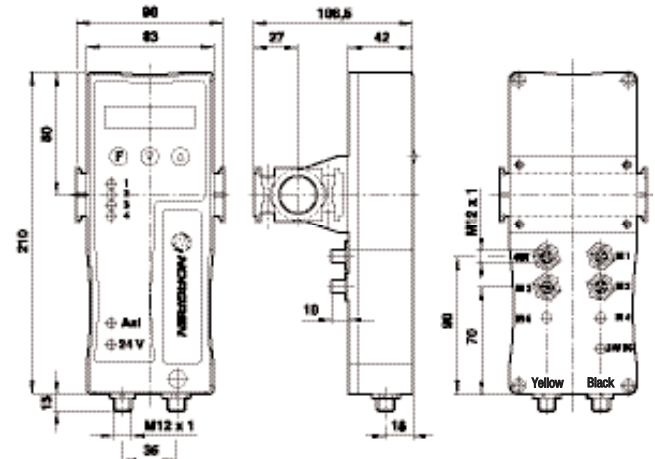
## smartfri

Air preparation assemblies with system diagnostics

'Smart' module dimensions – Excelon



'Smart' module dimensions – Olympian



## Components

Consider the functions you require and specify an assembly to suit.

Optional port sizes are available - please refer to the individual product sections in our 'Pneumatics' catalogue for further details.

### Olympian Plus\*\*

Component	Series	Description	Model	Page No.
<b>smart module</b>	Olympian Plus	For 10 bar maximum pressure	A64G-NNA-1NN	450
		For 17 bar maximum pressure ##	A64G-NNB-1NN	450
General purpose filter*	Olympian Plus	Unit less yoke – 40 µm element; full automatic drain; metal bowl	F64G-NNE-AD3	408
Oil removal filter*	Olympian Plus	Unit less yoke – 5 µm element; full automatic drain; metal bowl	F64G-NNE-AD1	408
Pressure regulator	Olympian Plus	Unit less yoke – metal bowl; full automatic drain	F64H-NNE-AD0	410
Lubricator*	Olympian Plus	Unit less yoke – relieving; 0,3 to 10 bar pressure adjustment range	R64G-NNK-RMN	418
		Unit less yoke – relieving; 0,7 to 17 bar pressure adjustment range	R64G-NNT-RSN	418
Lubricator*	Olympian Plus	Unit less yoke – micro-fog; 0,2 litre metal bowl	L64M-NNP-EDL	420
Soft start/dump valve	Olympian Plus	Unit less yoke – solenoid operated, 24 V d.c. no plug & cable gland	P64F-NNC-PFN	424
		Unit less yoke – solenoid operated, 24 V d.c. with plug & cable gland	P64F-NNC-PFA	424

\* All filters are fitted with electrical service life indicators and full automatic drains; all lubricators are fitted with lubricant liquid level switches.

\*\* Under development

## No yoke required – see note at bottom of page

### Olympian accessories# and yokes\*\*

Component	Series	Description	Model	Page No.
Shut-off valve	Olympian Plus	G1/2; 3 port/2 position	T64T-4GA-P1N	n/a
Adjustable pressure switch	Olympian Plus	Adjustable from 2 to 10 bar; 2 x G1/4 auxiliary air outlets	4346-99	427
Wall mounting brackets	Olympian Plus	Wall mounting brackets (pair)	74504-50	On demand
Tamper resistant cover	Olympian Plus	Tamper resistant cover	4355-50	419
		Seal wire	2117-01	431
Each unit selected from the table above will need a 'station' to plug into*	Olympian Plus	Single station yoke G1/2	Y64A-4GA-N1N	426
		Two station yoke G1/2	Y64A-4GA-N2N	426
		Three station yoke G1/2	Y64A-4GA-N3N	426
To join 2 yokes/accessories together	Olympian Plus	Connector kit	74503-51	426
If your assembly features a pressure switch or smart module at the end, this adapter will provide a threaded end connection	Olympian Plus	End connector G1/2	74505-50	426
		End connector G3/4	74505-53	426

\* Except the 'smart' module – this simply requires a connector kit, model number 74503-51, assembled to each side

\*\* Under development

# Each accessory needs a 12 mm connector. Input/output Fieldbus connectors are available from Norgren, part number 11648-E00

**smartfri**

## Air preparation assemblies with system diagnostics

## Excelon 73 &amp; 74

Component	Series	Description	Model	Page No.
<b>smart</b> module	Excelon 73 & 74	For 10 bar maximum pressure	A74G-NNE-1NN	450
		For 17 bar maximum pressure	A74G-NNF-1NN	450
General purpose filter*	Excelon 73	40 µm element; transparent polycarbonate bowl G3/8	F73G-3GE-AT3	432
		40 µm element; metal bowl G3/8	F73G-3GE-AD3	432
	Excelon 74	40 µm element; guarded polycarbonate bowl G1/2	F74G-4GE-AP3	432
		40 µm element; metal bowl G1/2	F74G-4GE-AD3	432
Oil removal filter*	Excelon 73	Transparent polycarbonate bowl G3/8	F73C-3GE-AT0	434
		Metal bowl G3/8	F73C-3GE-AD0	434
	Excelon 74	Guarded polycarbonate bowl G1/2	F74H-4GE-AP0	434
		Metal bowl G1/2	F74H-4GE-AD0	434
Pressure regulator	Excelon 73	Relieving; 0,3 to 10 bar pressure adjustment range G3/8	R73G-3GK-RMN	440
		Relieving; 0,7 to 17 bar pressure adjustment range G3/8	R73G-3GT-RSN	440
	Excelon 74	Relieving; 0,3 to 10 bar pressure adjustment range G1/2	R74G-4GK-RMN	440
		Relieving; 0,7 to 17 bar pressure adjustment range G1/2	R74G-4GT-RSN	440
Lubricator*	Excelon 73	Micro-fog; 0,1 litre transparent polycarbonate bowl G3/8	L73M-3GP-ETL	442
		Micro-fog; 0,1 litre metal bowl G3/8	L73M-3GP-EDL	442
	Excelon 74	Micro-fog; 0,2 litre guarded polycarbonate bowl G1/2	L74M-4GP-EPL	442
		Micro-fog; 0,2 litre metal bowl G1/2	L74M-4GP-EDL	442
Soft start/dump valve	Excelon 73 & 74	Solenoid operated; 24V dc no plug & cable gland G3/8	P74F-3GC-PFN	446
		Solenoid operated; 24V dc with plug & cable gland G3/8	P74F-3GC-PFA	446
		Solenoid operated; 24V dc no plug & cable gland G1/2	P74F-4GC-PFN	446
		Solenoid operated; 24V dc with plug & cable gland G1/2	P74F-4GC-PFA	446

\* All filters are fitted with electrical service life indicators and full automatic drains; all lubricators are fitted with lubricant liquid level switches.

## Excelon accessories# and connectors

Component	Series	Description	Model	Page No.
Shut-off valve	Excelon 73	G3/8; 3 port / 2 position	T73T-3GA-P1N	453
	Excelon 74	G1/2; 3 port / 2 position	T74T-4GA-P1N	453
Adjustable pressure switch	Excelon 73 & 74	Adjustable from 2 to 10 bar; 3 x G1/4 auxiliary air outlets	4346-52	On demand
Porting block	Excelon 73 & 74	3 x G1/4 auxiliary air outlets	4316-06	451
	Excelon 73	Tamper resistant cover and seal wire	4455-51	455
Tamper resistant cover	Excelon 74	Tamper resistant cover	4355-50	419
		Seal wire	2117-01	431
To join two Excelon products or accessories together	Excelon 73 & 74	Quikclamp	4314-51	454
		Quikclamp with wall mount bracket	4314-52	454
If your assembly features a pressure switch or smart module at the end, this adapter will provide a threaded end connection	Excelon 73 & 74	Quikmount pipe adapter G1/4	4315-09	455
		Quikmount pipe adapter G3/8	4315-10	455
		Quikmount pipe adapter G1/2	4315-11	455
		Quikmount pipe adapter G3/4	4315-12	455

# Each accessory needs a 12 mm connector. Input/output Fieldbus connectors are available from Norgren, part number 11648-E00



## Excelon modular system Accessories

### Soft start valve

Series	Port size	Flow (CV)	Model
72	G1/4	1,35	P72E-2GN-NNN
72	G3/8	1,35	P72E-3GN-NNN
74	*	40	P74E-NNN-NNN

\*Ports are unthreaded. Quikclamps (this page) and Quikmount pipe adaptors (page 455) are required.

Controls the rate of downstream pressure build-up at system start up

High flow

Cushioned poppets for long life



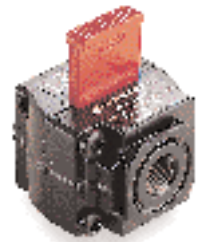
### Shut-off valves

Series	Port size	Model 2/2	Model 3/2
72	G1/4	T72B-2GA-P1N	T72T-2GA-PIN
72	G3/8	T72B-3GA-P1N	T72T-3GA-PIN
73	G1/4	T73B-2GA-P1N	T73T-2GA-PIN
73	G3/8	T73B-3GA-P1N	T73T-3GA-PIN
73	G1/2	T73B-4GA-P1N	T73T-4GA-PIN
74	G3/8	T74B-3GA-P1N	T74T-3GA-PIN
74	G1/2	T74B-4GA-P1N	T74T-4GA-PIN
74	G3/4	T74B-6GA-P1N	T74T-6GA-PIN

Ideal for isolating sub-systems not in use

Easy to operate – low stiction

Lockable in the 'closed' position



### Solenoid operated control valves

Series	Port size	Function	Type	Model
72	G1/4	3/2 NC	Solenoid	P72C-2GC-PFN
72	G1/4	3/2 NC	Pilot	P72C-2GA-NNN
72	G3/8	3/2 NC	Solenoid	P72C-3GC-PFN
72	G3/8	3/2 NC	Pilot	P72C-3GA-NNN
74	*	2/2 NC	Solenoid	P74A-NGC-PFN
74	*	2/2 NO	Solenoid	P74B-NGC-PFN
74	*	3/2 NC	Solenoid	P74C-NGC-PFN
74	*	3/2 NC	Solenoid with lockout	P74C-NGD-PFN
74	*	2/2 NC	Pilot	P74A-NGA-NNN
74	*	2/2 NO	Pilot	P74B-NGA-NNN
74	*	3/2 NC	Pilot	P74C-NGA-NNN

\*Ports are unthreaded. Quikclamps (this page) and Quikmount pipe adaptors (page 455) are required. Solenoid models are fitted with 24 V d.c., 2 W coils – no connector plugs, see page 382

3 port and 2 port, normally closed or normally open versions.

High flow, spring return.

Solenoid or air pilot operated.

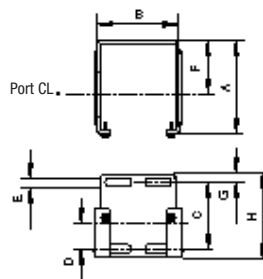


### Wall mounting bracket

Series	Model
72	4224-50
73	4424-50
74	4324-50
L74*	4324-51

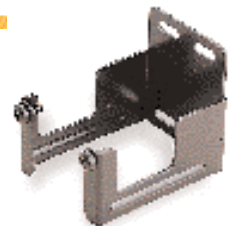
\* with 1 litre bowl

Series	A	B	C	D	E	F	G	H
72	60	42	39	18,6	4	38	6	51
73	67	60	48	19	7	38	6	61
74	79	69	50	20	5	51	6	61



Provides secure wall mounting for individual Excelon products\*

\*Except P72, P74, T73 and T74 units.



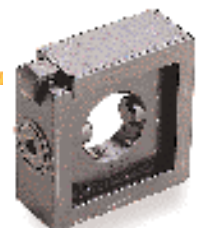
### Quikclamp

Series	Model
72	4214-51
73 & 74	4314-51

Allows easy connection of one Excelon unit to another

One piece – no loose parts

Uniquely, connected products can be rotated in 90° increments

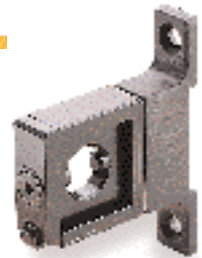
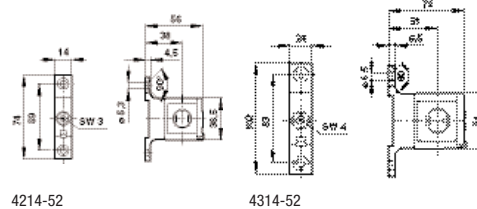


## Excelon modular system Accessories

### Quikclamps and wall brackets

Series	Model
72	4214-52
73 & 74	4314-52

Allows easy connection of one Excelon unit to another  
One piece – no loose parts  
Uniquely, connected products can be rotated in 90° increments  
Secure mounting to a wall, panel or machine surface



### Manifold block

Series	Model
72	4228-03
73 & 74	4328-53

Provides a manifolding capability for up to 3 products, e.g. 3 pressure regulators can be mounted on one block to provide 3 different secondary pressures from a common primary pressure  
Ideal for right-angled piping



### Porting block

Series	Model
72	4216-52
73 & 74	4316-51

Provides 3 G1/4 auxiliary air outlets  
Ideal for branching off to smaller sub-systems  
When placed between a filter-regulator and lubricator allows branching off to systems requiring a non-lubricated supply



### Service life indicator

Series	Type	Model
72, 73, 74	Electrical	4020-51R
72, 73, 74	Visual	5797-50

4020-51R provides an electrical output on detecting an excessive pressure drop across a filter element  
5797-50 provides a visual indication



### Neck mounting bracket

Series	Model
72	74316-50
73	4461-50
74	4368-51

Provides secure wall mounting for individual pressure regulators, filter-regulators and pressure relief valves  
Includes panel nut



### Panel nut

Series	Model
72	4248-89
73	5191-88
74	4348-89

Used to panel mount pressure regulators, filter-regulators and pressure relief valves



## Excelon modular system Accessories

### Tamper resistant cover

Series	Model
72	4255-51*
73	4455-51
74	4355-50

\*Includes seal wire.

Quick and easy method of helping prevent unauthorised adjustment of pressure regulators, filter-regulators and pressure relief valves  
Can be locked with up to 2 or 4 padlocks



### Quikmount pipe adaptors

Series	Port size	Model
72	G1/4	4215-08
72	G3/8	4215-09
74	G1/4	4315-09
74	G3/8	4315-10
74	G1/2	4315-11
74	G3/4	4315-12

Use with Quikclamps to provide threaded connections to system piping  
Can be used on products with unthreaded ports – P74A, P74B, P74C and P74E



### Transition connector

Model
4417-01

Enables an Excelon 73 or 74 unit to be connected to an Excelon 72 unit. Slides between an Excelon 73/74 Quikclamp and an Excelon 72 Quikclamp.

Allows a mixed assembly of Excelon 72, 73 and 74 products  
Ideal for 'flow matching' applications, e.g. an Excelon 72 general purpose filter can provide sufficient flow to a 'lower flowing' Excelon 74 oil removal filter



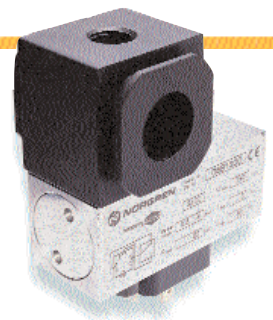
### 33D Electronic pressure switches

Series	Switch only *	Block only
72	0881300	0523109
73 & 74	0881300	0523110

For full details of pressure switch range see page 386

\* All 18D & 33D pressure switches with flange connection can be mounted directly with the 2 screws delivered together with the porting block

Monitors pressure, providing an electrical output when the pressure drops below or exceeds an adjustable preset level  
Electrical signal can be fed back to a PC, PLC or audible/visible alarm  
2 G1/4 auxiliary outlets  
Threaded port for direct system piping



### 33D Electronic pressure switches

Series	Switch only *	Block only
72	0863216	0523109
73 & 74	0863216	0523110

For full details of pressure switch range see page 385

\* All 18D & 33D pressure switches with flange connection can be mounted directly with the 2 screws delivered together with the porting block

System pressure indication  
Digital display  
High accuracy  
Switching status indicated by LED  
'Off-line' pressure adjustment  
1 or 2 set points  
Analog output signal  
Flange type for Excelon porting blocks

