

EXCELON® 74
Micro-Fog and Oil-Fog Lubricators
3/8", 1/2", 3/4" Port Sizes

- **EXCELON design allows in-line or modular installation**
- **Quick release bayonet bowl**
- **Highly visible, prismatic liquid level indicator lens**
- **Flow sensor design provides a nearly constant oil/air ratio over a wide range of air flows**
- **All around (360°) visibility of the sight-feed dome simplifies installation and adjustment**
- **Modular installations with EXCELON 72, 73, and 74 series can be made to suit particular applications**

Use Micro-Fog models in applications with one or more points of lubrication.

Use Oil-Fog models to lubricate a single tool, cylinder, or other air driven device.



Technical Data

Fluid: Compressed air

Maximum pressure:

Transparent bowl: 10 bar (150 psig)

Metal bowl: 17 bar (250 psig)

Operating temperature*:

Transparent bowl: -20° to 50°C (0° to 125°F)

Metal bowl: -20° to 80°C (0° to 175°F)

* Air supply must be dry enough to avoid ice formation at temperatures below +2°C (+35°F).

Start point (i.e. minimum flow required for lubricator operation):

0,94 dm³/s (2.5 scfm) at 6,3 bar (90 psig) inlet pressure

Typical flow with 6,3 bar (90 psig) inlet pressure and 0,5 bar (7 psig) pressure drop: 70 dm³/s (148 scfm)

Nominal bowl size:

Standard: 0,2 litre (7 fluid ounce)

Optional: 1 litre (1 quart US)

Manual drain connection: 1/8"

Recommended lubricants: See page N/AL.8.900.935

Materials:

Body: Aluminum

Bowl:

Transparent: Polycarbonate with steel bowl guard

Metal: Aluminum

Metal bowl liquid level indicator lens:

0,2 litre (7 fluid ounce): Transparent nylon

1 litre (1 quart US): Pyrex

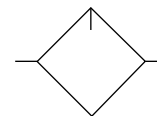
Sight-feed dome: Transparent nylon

Elastomers: Neoprene and Nitrile

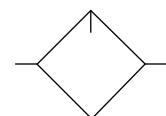
Ordering Information

See *Ordering Information* on the following pages.

ISO Symbols



No Drain

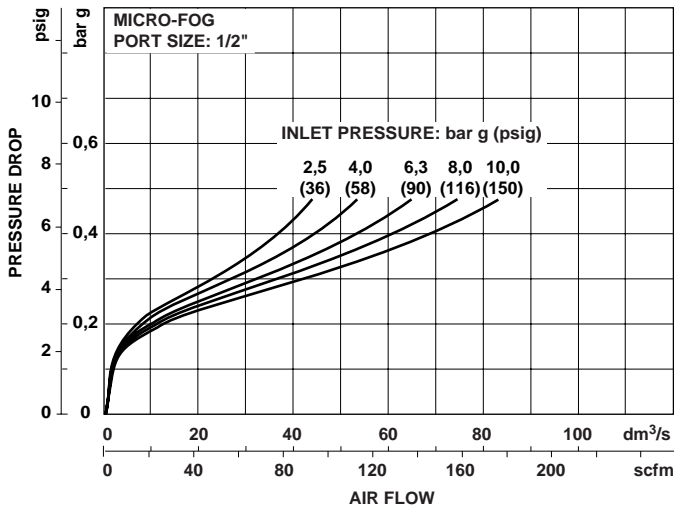


With Drain

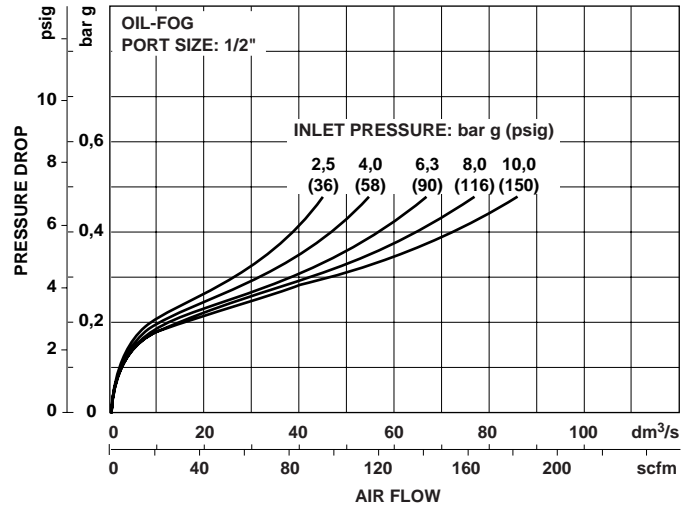


Typical Performance Characteristics

FLOW CHARACTERISTICS



FLOW CHARACTERISTICS



Ordering Information. Models listed include ISO G parallel threads, manual drain, and 0,2 litre (7 fluid ounce) metal bowl with plastic liquid level indicator.

Main Port Size	Model Number Micro-Fog Models *	Model Number Oil-Fog Models *	Flow† dm³/s (scfm)	Weight kg (lb) **
G3/8	L74M-3GP-QDN	L74C-3GP-QDN	50 (106)	0,77 (1.70)
G1/2	L74M-4GP-QDN	L74C-4GP-QDN	70 (148)	0,73 (1.61)
G3/4	L74M-6GP-QDN	L74C-6GP-QDN	70 (148)	0,71 (1.55)

* Models listed in the order table must not be located downstream of frequently cycling directional control valves. Order the optional bi-directional Oil-Fog Lubricator for use under such conditions.

** Lubricators with 1 litre (1 quart US) metal bowl: Add 0,91 kg (2.01 lbs).

† Typical flow with 6,3 bar (90 psig) inlet pressure and a pressure drop of 0,5 bar (7 psig).

Alternative Models



Type	Substitute
Oil-Fog	C
Micro-Fog	M

Port Size	Substitute
3/8"	3
1/2"	4
3/4"	6

Threads	Substitute
PTF	A
ISO Rc taper	B
ISO G parallel	G

Air Flow Direction	Substitute
Bi-directional (Oil-Fog only)	E
Uni-directional	P

Options	Substitute
Low oil level switch ***	L
None	N
Pyrex dome *†	P
Quick fill nipple	Q

Bowl	Substitute
1 litre (1 quart US) metal with Pyrex liquid level indicator ††	A
0,2 litre (7 fluid oz.) metal with plastic liquid level indicator	D
0,2 litre (7 fluid oz.) transparent with guard	P
0,2 litre (7 fluid oz.) metal with Pyrex liquid level indicator††	R

Drain	Substitute
Closed bottom	E
Manual 1/4 turn	Q
Remote fill device - Use only with 0,2 litre (7 fluid oz.) bowl.	R

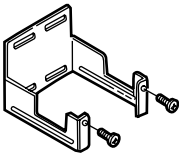
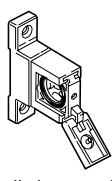



*** Low oil level switch requires 1 litre bowl, type 'A' at 9th digit.

*† Pyrex dome used only with bowl type 'A' or 'R' at 9th digit.

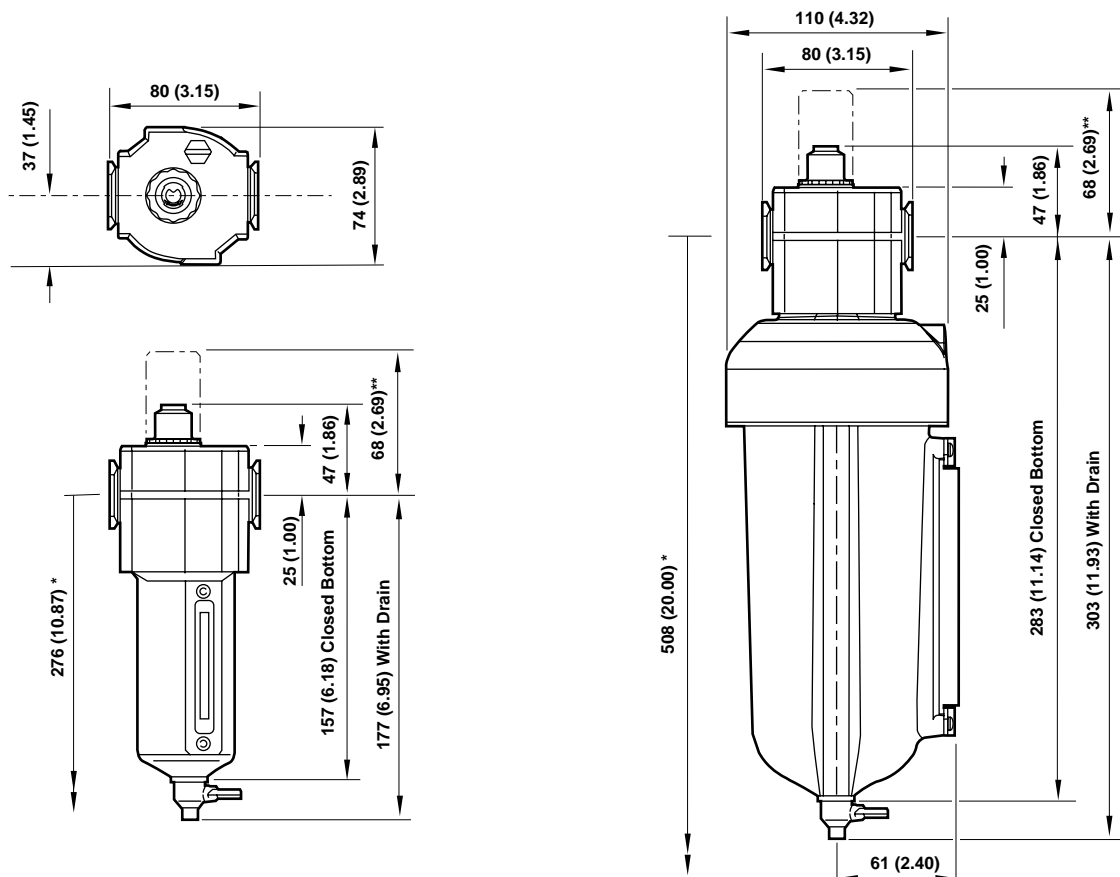
†† Pyrex liquid level indicator used only with option 'P' at 10th digit.



Accessories

 <p>Wall Mounting Bracket</p> <p>0,2 litre bowl: 4324-50 1 litre bowl: 4324-51</p>	 <p>Quikclamp and Quikclamp Wall Bracket</p> <p>4314-52</p>	 <p>Remote Fill</p> <p>18-027-984</p>	 <p>Quick Fill Nipple (Field Conversion)</p> <p>18-011-024</p>	 <p>Low Oil Level Switch- For use with 1 litre bowl (Field Conversion)</p> <p>18-023-610</p>
---	--	--	---	---

Dimensions mm (inches)



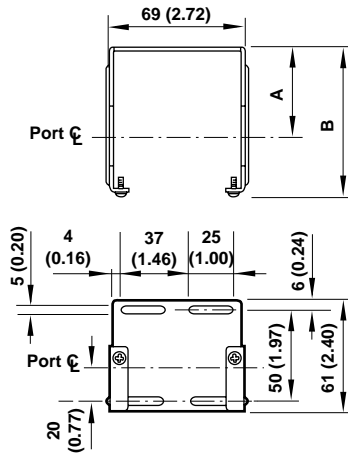
* Minimum clearance to remove bowl.
** Optional pyrex sight-feed dome.



Bracket Mounting

Mounting Bracket

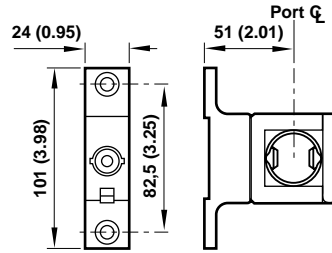
Use 5 mm (3/16") screws to mount bracket to wall.



Quikclamp and Quikclamp Wall Bracket

0,2 litre (7 fluid ounce) bowl only.

Use 6 mm (7/32") screws to mount bracket to wall.



Bracket Kit Reference

Model	Item	Dimension		Part Number
		A	B	
0,2 litre (7 fluid oz.) bowl	Wall Bracket	51 (2.00)	79 (3.11)	4324-50
	Quikclamp and Quikclamp Wall Bracket			4314-52
1 litre (1 quart US) bowl	Wall Bracket	81 (3.17)	109 (4.29)	4324-51

Service Kits

Item	Type	Part Number
Service kit	Seal & Gasket	4382-700
Liquid level lens kit	0,2 litre (7 fluid ounce) bowl	4380-050
	1 litre (1 quart US) bowl	2273-22
Replacement drain	Manual 1/4 turn	619-50

Service kit includes dome seal, drain seal, bowl seal and fill plug seal

Warning

These products are intended for use in industrial compressed air systems only. Do not use these products where pressures and temperatures can exceed those listed under 'Technical Data'.

Before using these products with fluids other than those specified, for non-industrial applications, life-support systems, or other applications not within published specifications, consult Norgren.

Through misuse, age, or malfunction, components used in fluid power systems can fail in various modes. The system designer is warned to consider the failure modes of all component parts used in fluid power systems and to provide adequate safeguards to prevent personal injury or damage to equipment in the event of such failure.

System designers must provide a warning to end users in the system instructional manual if protection against a failure mode cannot be adequately provided.

System designers and end users are cautioned to review specific warnings found in instruction sheets packed and shipped with these products.