

**EXCELON® 73**  
**Pressure Regulator**  
**1/4" 3/8", 1/2" Port Sizes**

- EXCELON design allows in-line or modular installation
- Full flow gauge ports
- Balanced valve design minimizes effect of variation in the inlet pressure on the outlet pressure
- Standard relieving models allow reduction of downstream pressure when the system is dead-ended
- Optional reverse flow models available for use downstream of directional control valves
- Modular installations with EXCELON 72, 73, and 74 series can be made to suit particular applications


**Technical Data**

Fluid: Compressed air

Maximum pressure: 20 bar (300 psig)

Operating temperature\*: -20° to +80°C (0° to +175°F)

\*Air supply must be dry enough to avoid ice formation at temperatures below +2°C (+35°F).

Typical flow with 10 bar (150 psig) inlet pressure, 6,3 bar (90 psig) set pressure and 1 bar (15 psig) droop from from set: 60 dm<sup>3</sup>/s (127 scfm)

Gauge ports:

1/4 PTF with PTF main ports

Rc1/4 with ISO Rc main ports

Rc1/8 with ISO G main ports

Materials:

Body: Aluminum

Bonnet : Aluminum

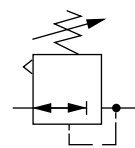
Valve: Brass

Elastomers: Nitrile

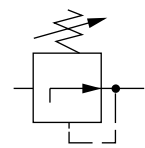
Bottom plug: Acetal

**Ordering Information**

See *Ordering Information* on the following pages.

**ISO Symbols**


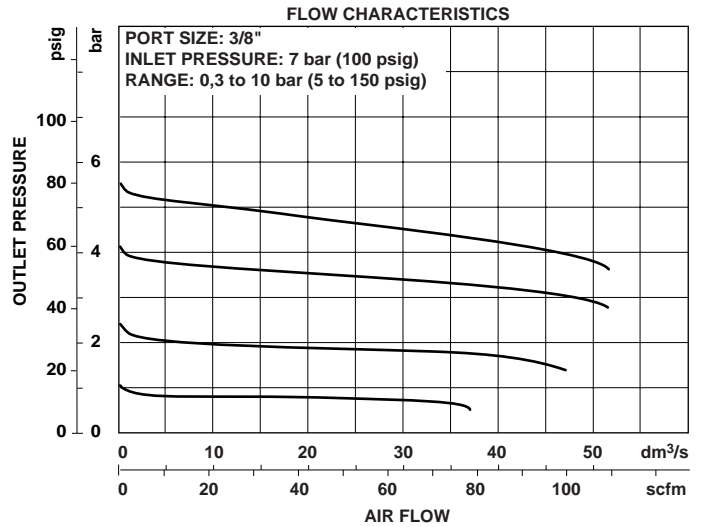
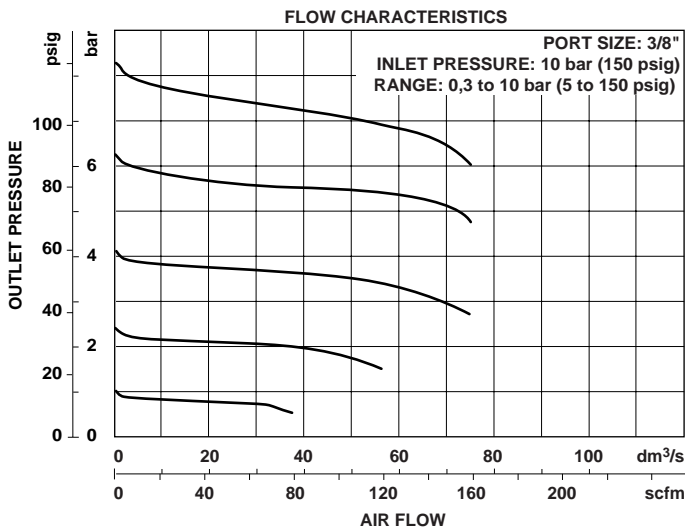
Relieving



Non relieving



### Typical Performance Characteristics



**Ordering Information.** Models listed include uni-directional flow, ISO G parallel threads, knob adjustment, relieving diaphragm, and 0,3 to 10 bar (5 to 150 psig) outlet pressure adjustment range\*.

Port Size	Model	Flow† dm³/s (scfm)	Weight kg (lb)
G1/4	R73G-2GK-RMN	<b>Waiting on lab test</b>	0,48 (1.1)
G3/8	R73G-3GK-RMN	60 (127)	0,48 (1.1)
G1/2	R73G-4GK-RMN	60 (127)	0,48 (1.1)

† Typical flow with 10 bar (150 psig) inlet pressure, 6,3 bar (90 psig) set pressure and 1 bar (15 psig) droop from set.

### Alternative Models

R
7
3
★
-
★
★
★
-
★
★
★

<table border="1" style="width: 100%; border-collapse: collapse;"> <tr><th>Flow Type</th><th>Substitute</th></tr> <tr><td>Uni-directional</td><td>G</td></tr> <tr><td>Reverse</td><td>R</td></tr> </table>	Flow Type	Substitute	Uni-directional	G	Reverse	R		<table border="1" style="width: 100%; border-collapse: collapse;"> <tr><th>Gauge</th><th>Substitute</th></tr> <tr><td>With</td><td>G</td></tr> <tr><td>Without</td><td>N</td></tr> </table>	Gauge	Substitute	With	G	Without	N					
Flow Type	Substitute																		
Uni-directional	G																		
Reverse	R																		
Gauge	Substitute																		
With	G																		
Without	N																		
<table border="1" style="width: 100%; border-collapse: collapse;"> <tr><th>Port Size</th><th>Substitute</th></tr> <tr><td>1/4"</td><td>2</td></tr> <tr><td>3/8"</td><td>3</td></tr> <tr><td>1/2"</td><td>4</td></tr> </table>	Port Size	Substitute	1/4"	2	3/8"	3	1/2"	4		<table border="1" style="width: 100%; border-collapse: collapse;"> <tr><th>Outlet Pressure Adjustment Range*</th><th>Substitute</th></tr> <tr><td>0,3 to 4 bar (5 to 60 psig)</td><td>F</td></tr> <tr><td>0,3 to 10 bar (5 to 150 psig)</td><td>M</td></tr> <tr><td>0,7 to 17 bar (10 to 250 psig)</td><td>S</td></tr> </table>	Outlet Pressure Adjustment Range*	Substitute	0,3 to 4 bar (5 to 60 psig)	F	0,3 to 10 bar (5 to 150 psig)	M	0,7 to 17 bar (10 to 250 psig)	S	
Port Size	Substitute																		
1/4"	2																		
3/8"	3																		
1/2"	4																		
Outlet Pressure Adjustment Range*	Substitute																		
0,3 to 4 bar (5 to 60 psig)	F																		
0,3 to 10 bar (5 to 150 psig)	M																		
0,7 to 17 bar (10 to 250 psig)	S																		
<table border="1" style="width: 100%; border-collapse: collapse;"> <tr><th>Threads</th><th>Substitute</th></tr> <tr><td>PTF</td><td>A</td></tr> <tr><td>ISO Rc taper</td><td>B</td></tr> <tr><td>ISO G parallel</td><td>G</td></tr> </table>	Threads	Substitute	PTF	A	ISO Rc taper	B	ISO G parallel	G		<table border="1" style="width: 100%; border-collapse: collapse;"> <tr><th>Diaphragm</th><th>Substitute</th></tr> <tr><td>Relieving</td><td>R</td></tr> <tr><td>Non relieving</td><td>N</td></tr> </table>	Diaphragm	Substitute	Relieving	R	Non relieving	N			
Threads	Substitute																		
PTF	A																		
ISO Rc taper	B																		
ISO G parallel	G																		
Diaphragm	Substitute																		
Relieving	R																		
Non relieving	N																		
<table border="1" style="width: 100%; border-collapse: collapse;"> <tr><th>Adjustment</th><th>Substitute</th></tr> <tr><td>Knob</td><td>K</td></tr> <tr><td>T-bar</td><td>T</td></tr> </table>	Adjustment	Substitute	Knob	K	T-bar	T													
Adjustment	Substitute																		
Knob	K																		
T-bar	T																		

\* Outlet pressure can be adjusted to pressures in excess of, and less than, those specified. Do not use these units to control pressures outside of the specified ranges.

### Accessories

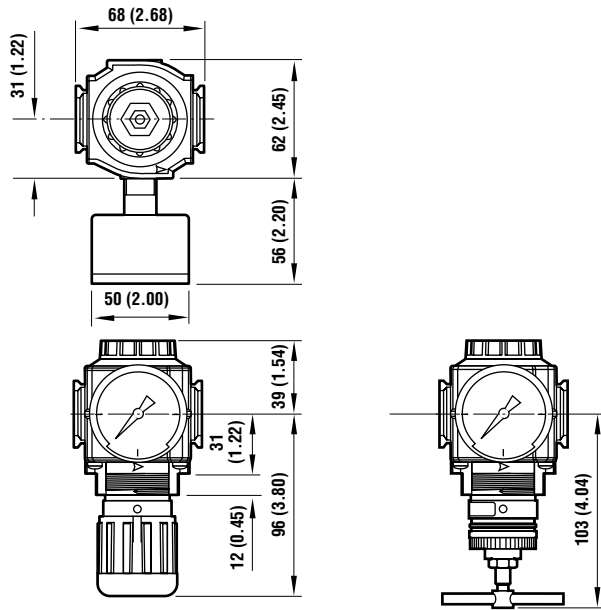
 Wall Mounting Bracket 4424-50	 Neck Mounting Bracket With Zinc Panel Nut Bracket and nut: 5203-06 Nut: 5191-88	 Tamper Resistant Cover and Seal Wire†† Cover and wire: 4455-51 Replacement seal wire: 2117-01	 Pressure Gauge R1/4 Connection    R1/8 Connection    1/4 PTF Connection 4 bar (60 psig): 18-013-266    18-013-011    18-013-208 10 bar (150 psig): 18-013-260    18-013-013    18-013-209 20 bar (300 psig): 18-013-267    18-013-014    18-013-210
--------------------------------------	--	--	---

†† Use padlock with shackle up to 8 mm (0.3") in diameter.



### Dimensions mm (inches)

Panel mounting hole diameter: 48 mm (1.89")  
 Panel thickness: 2 to 6 mm (0.06" to 0.25")



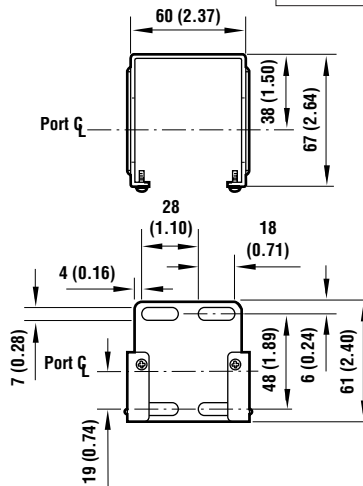
### Bracket Mounting

#### Universal Wall Bracket for 73 Series Products

Use 6mm (1/4") screws to mount bracket to wall.

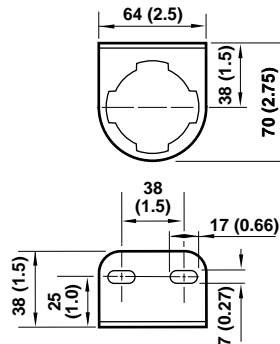
### Bracket Kit Reference

Model	Part No.
All 73 Series products	4424-50
R73, B73 neck mounting bracket with zinc panel nut	5203-06



### Neck Mounting Bracket for R73 and B73

Includes zinc panel nut. Use 6mm (1/4") screws to mount bracket to wall.



### Service Kits

Item	Type	Part Number
Service kit	Relieving	4381-600
	Non-relieving	4381-601

Service kit includes diaphragm assembly, valve assembly, valve spring, bottom plug o-ring.



## Warning

These products are intended for use in industrial compressed air systems only. Do not use these products where *pressures* and *temperatures* can exceed those listed under **Technical Data**.

Before using these products with fluids other than those specified, for non-industrial applications, life-support systems, or other applications not within published specifications, consult Norgren.

Through misuse, age, or malfunction, components used in fluid power systems can fail in various modes. The system designer is warned to consider the failure modes of all component parts used in fluid power systems and to provide adequate safeguards to prevent personal injury or damage to equipment in the event of such failure.

**System designers must provide a warning to end users in the system instructional manual if protection against a failure mode cannot be adequately provided.**

System designers and end users are cautioned to review specific warnings found in instruction sheets packed and shipped with these products.