

**EXCELON®72**  
**Pressure Relief Valve**  
**1/4", 3/8" Port Size**

- EXCELON design allows in-line or modular installation
- Push to lock adjusting knob with tamper resistant accessory
- Helps protect air operated equipment from over pressure by retarding excessive pressure build up
- Modular installations with EXCELON 72, 73, and 74 series can be made to suit particular applications



**Technical Data**

Fluid: Compressed air

Operating Temperature\*: -20° to +65°C (-4° to +150°F)

\* Air supply must be dry enough to avoid ice formation at temperatures below +2°C (+35°F).

Gauge Ports:

- 1/8" PTF with PTF main ports
- 1/8" ISO Rc with ISO Rc main ports
- 1/8" ISO Rc with ISO G main ports

Exhaust Port:

- 1/4" PTF with PTF main ports
- 1/4" ISO Rc with ISO Rc main ports
- 1/4" ISO Rc with ISO G main ports

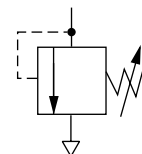
Materials:

- Body: Zinc
- Bonnet: Acetal
- Valve: Brass
- Elastomers: Neoprene
- Bottom Plug: Acetal

**Ordering Information**

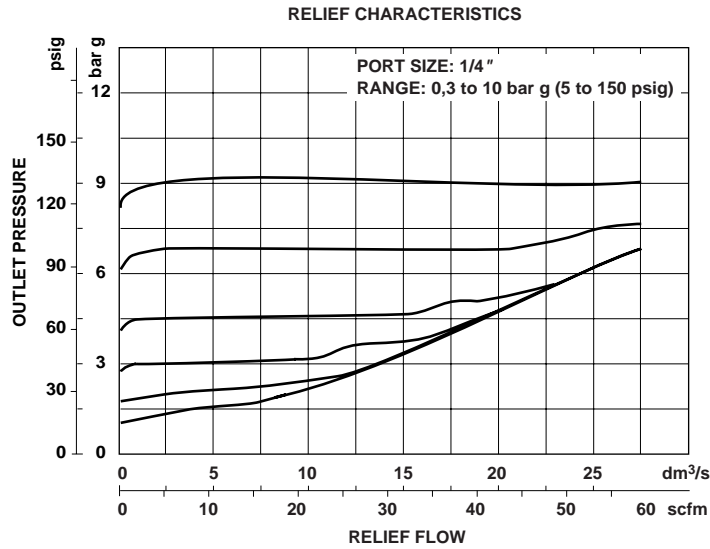
See *Ordering Information* on the following pages.

**ISO Symbol**





### Typical Performance Characteristics



**Ordering Information.** Models listed include ISO G threads, knob adjustment, and a 0,3 to 10 bar (5 to 150 psig) outlet pressure adjustment range\*.

Port Size	Model	Weight kg (lb)
G1/4	V72G-2GK-NMN	0,33 (0.73)
G3/8	V72G-3GK-NMN	0,33 (0.73)

### Alternative Models

V 7 2 G - ★ ★ ★ - N ★ ★

Port Size	Substitute
1/4"	2
3/8"	3

Threads	Substitute
PTF	A
ISO Rc taper	B
ISO G parallel	G

Gauge	Substitute
With	G
Without	N

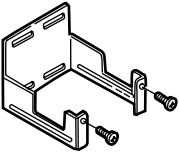
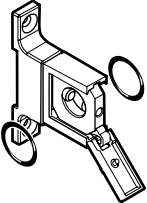
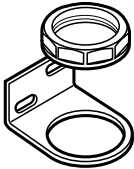

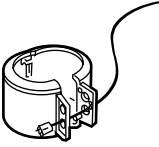
Outlet Pressure Adjustment Range*	Substitute
0,3 to 2 bar (5 to 30 psig)	C
0,3 to 4 bar (5 to 60 psig)	F
0,3 to 10 bar (5 to 150 psig)	M


Adjustment	Substitute
Knob	K
T-bar	T

\* Relief valve can be adjusted to pressures in excess of and less than those specified. Do not use these units to control pressures outside of the specified ranges.



**Accessories**

				
Wall Mounting Bracket	Quikclamp and Quikclamp Wall Bracket	Neck Mounting Bracket	Panel Nut	Tamper Resistant Cover and Seal wire
4224-50	4214-52	74316-50	Plastic: 4248-89	4255-51
		Includes plastic panel nut		Seal Wire: 2117-01

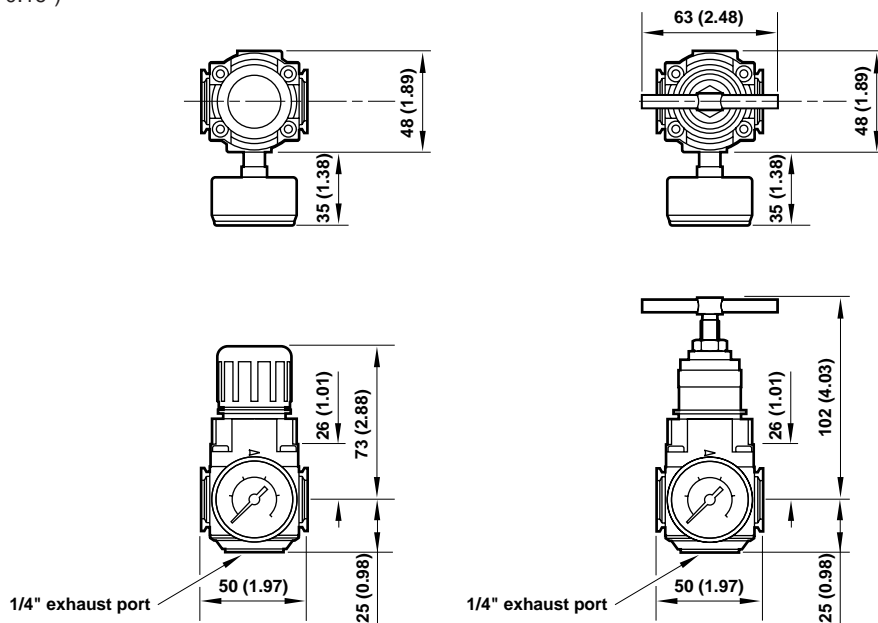


Ø 40 mm		
Pressure Gauge	R1/8 Connection	1/8 PTF Connection
4 bar (60 psig):	18-013-990	18-013-211
10 bar (150 psig):	18-013-989	18-013-212
25 bar (360 psig):	18-013-908	

**Dimensions mm (inches)**

Panel mounting hole diameter: 40 mm (1.57")

Panel thickness: 0 to 4 mm (0" to 0.16")

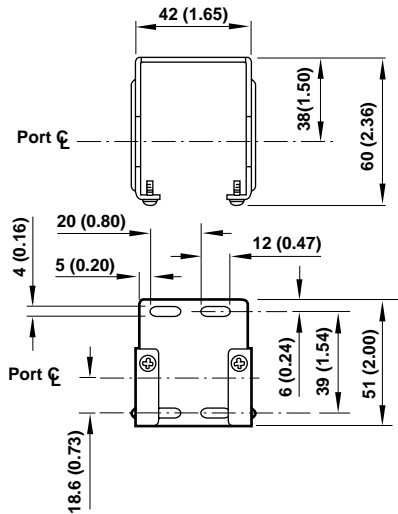




### Bracket Mounting

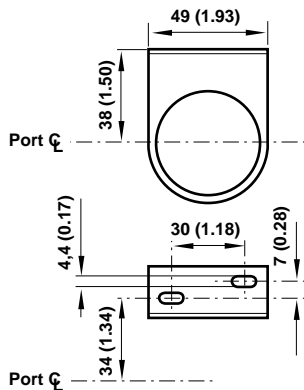
#### Wall Bracket

Use 4 mm (5/32") screws to mount bracket to wall.



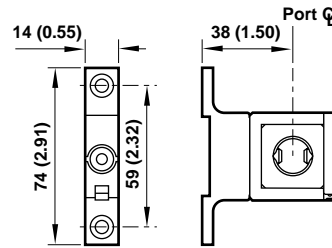
#### Neck Mounting for B72, R72, V72, includes plastic panel cut

Use 4 mm (5/32") screws to mount bracket to wall.



#### Quikclamp and Quikclamp Wall Bracket

Use 5 mm (3/16") screws to mount bracket to wall.



### Bracket Kit Reference

Item	Part Number
Wall Bracket	4224-50
Neck Mounting Wall Bracket	74316-50
Quikclamp and Quikclamp Wall Bracket	4214-52

### Service Kits

Item	Type	Part Number
Service kit	Diaphragm	4209-03

Service kit includes diaphragm assembly and bottom plug o-ring.

### Warning

These products are intended for use in industrial compressed air systems only. Do not use these products where pressures and temperatures can exceed those listed under 'Technical Data'.

Before using these products with fluids other than those specified, for non-industrial applications, life-support systems, or other applications not within published specifications, consult NORGREN.

Through misuse, age, or malfunction, components used in fluid power systems can fail in various modes. The system designer is warned to consider the failure modes of all component parts used in fluid power systems and to provide adequate safeguards to prevent personal injury or damage to equipment in the event of such failure.

**System designers must provide a warning to end users in the system instructional manual if protection against a failure mode cannot be adequately provided.**

System designers and end users are cautioned to review specific warnings found in instruction sheets packed and shipped with these products.

Water vapor will pass through these units and will condense into liquid if air temperature drops in the downstream system. Install an air dryer if water condensation could have a detrimental effect on the application.