

**Clamping Cylinders
Double Acting
Ø 8 to 63 mm**

- **Designed for very compact installations**
- **Enable high thrusts to be achieved in restricted space**
- **Neat, clean appearance**
- **Double ended piston rod**


Technical Data

Medium:

Compressed air , filtered and lubricated

Operation:

Double acting, non-cushioned

Operating Pressure:

1,5 to 10 bar

Operating Temperature:

-5°C* to +80°C

*Consult our Technical Service for use below +2°C

Cylinder Diameters:

8, 12, 20, 32, 50, 63 mm

Standard Strokes:

4, 10 mm	Ø 8, 12 and 20 mm
5, 10, 25 mm	Ø 32 mm
10, 25 mm	Ø 50, 63 mm

Materials:

Stainless steel (Austenitic) piston rod, anodised aluminium body, nitrile rubber seals.

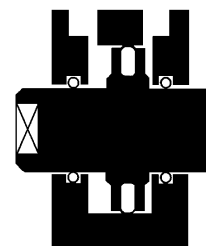
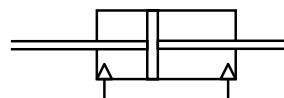
Ordering Information

To order a basic Ø 63 mm bore cylinder with 25 mm stroke quote:

M/50263/25

To order a basic Ø 32 mm bore cylinder with 25 mm stroke quote:

M/50232/25



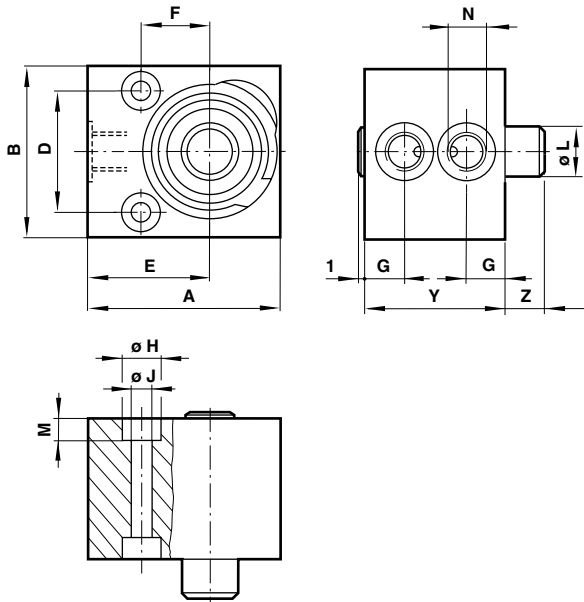


Theoretical Forces • Air Consumption

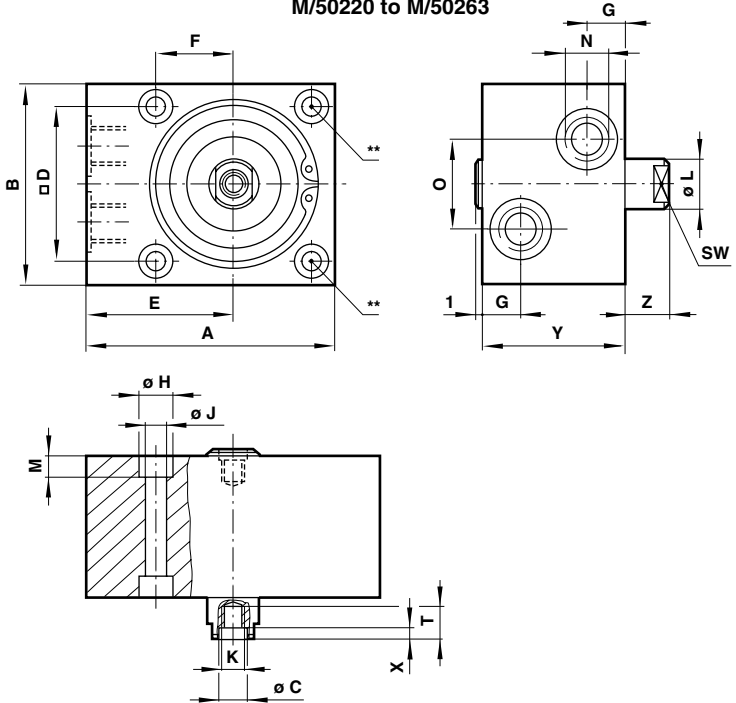
Model	Theoretical forces (N) at 6 bar Outstroke/Instroke	Air consumption (l/cm stroke) at 6 bar Outstroke/Instroke	Model	Theoretical forces (N) at 6 bar Outstroke/Instroke/	Air consumption (l/cm stroke) at 6 bar Outstroke/Instroke
50208	23	0,003	50232	406	0,044
50212	55	0,007	50250	1037	0,123
50220	138	0,017	50263	1715	0,204

Basic Dimensions

M/50208 to M/50212



M/50220 to M/50263



** = Ø 20 and 32 mm without bores

Model	50208	50212	50220	50232	50250	50263							
Ø	8	12	20	32	50	63							
A	20	25	40	55	80	90							
B	18	20	32	45	65	80							
Ø C	-	-	5,3	6,4	8,4	8,4							
D	11	13	20	32	50	62							
E	13,5	16	24	32	47,5	50							
F	8	9	15	18	-	-							
G	5	5	5	10	12	12							
Ø H	6	6	10	10	11	15							
Ø J	3,4	3,4	5,5	5,5	6,6	9							
K	-	-	M 5	M 6	M 8	M 8							
Ø L	4	5	10	12	16	16							
M	3,2	3,4	5,5	5,5	6,8	9							
N	M 5	M 5	M 5	G 1/8	G 1/4	G 1/4							
O	-	-	-	20	30	30							
SW (A/F)	-	-	8	10	13	13							
T	-	-	8	14,5	15	15							
X	-	-	2	2,5	3	3							
Standard strokes	4	10	4	10	5	10	25	10	25	10	25		
Y	22	28	24	30	25	31	33,5	38,5	53,5	36,5	51,5	41,5	56,5
Z	5	11	5	11	8	14	10	15	30	15	30	15	30
Weight (kg)	0,03	0,03	0,04	0,05	0,10	0,11	0,25	0,30	0,42	0,60	0,68	0,90	1,16

Warning

These products are intended for use in industrial compressed air systems only. Do not use these products where pressures and temperatures can exceed those listed under 'Technical Data'.

Before using these products with fluids other than those specified, for non-industrial applications, life-support systems, or other applications not within published specifications, consult NORGREN.

Through misuse, age, or malfunction, components used in fluid power systems can fail in various modes.

The system designer is warned to consider the failure modes of all component parts used in fluid power systems and to provide adequate safeguards to prevent personal injury or damage to equipment in the event of such failure.

System designers must provide a warning to end users in the system instructional manual if protection against a failure mode cannot be adequately provided.

System designers and end users are cautioned to review specific warnings found in instruction sheets packed and shipped with these products.